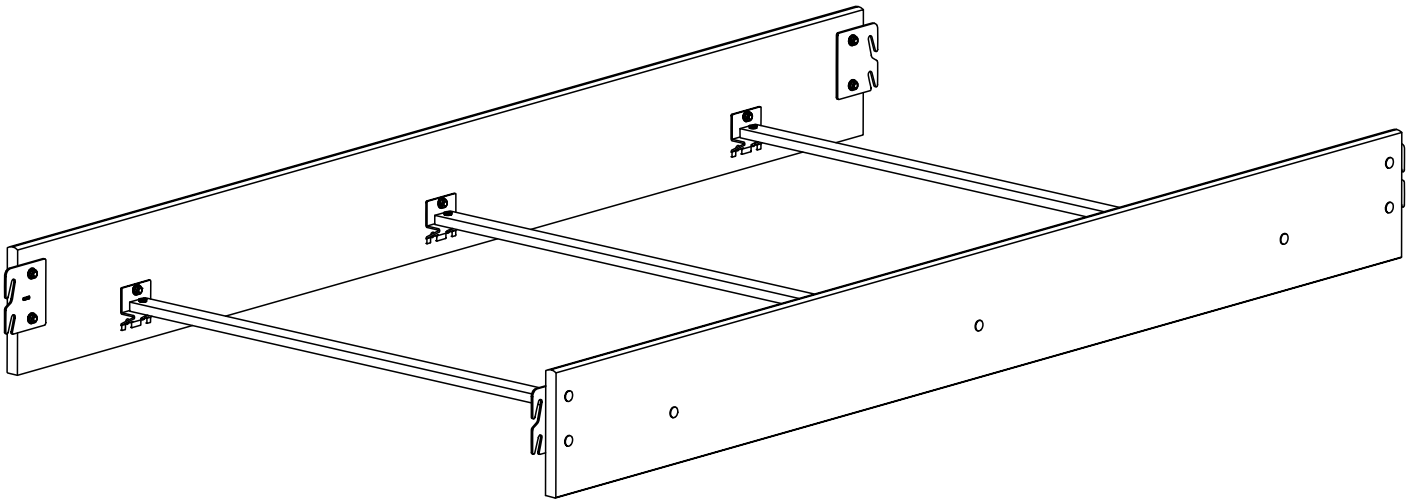
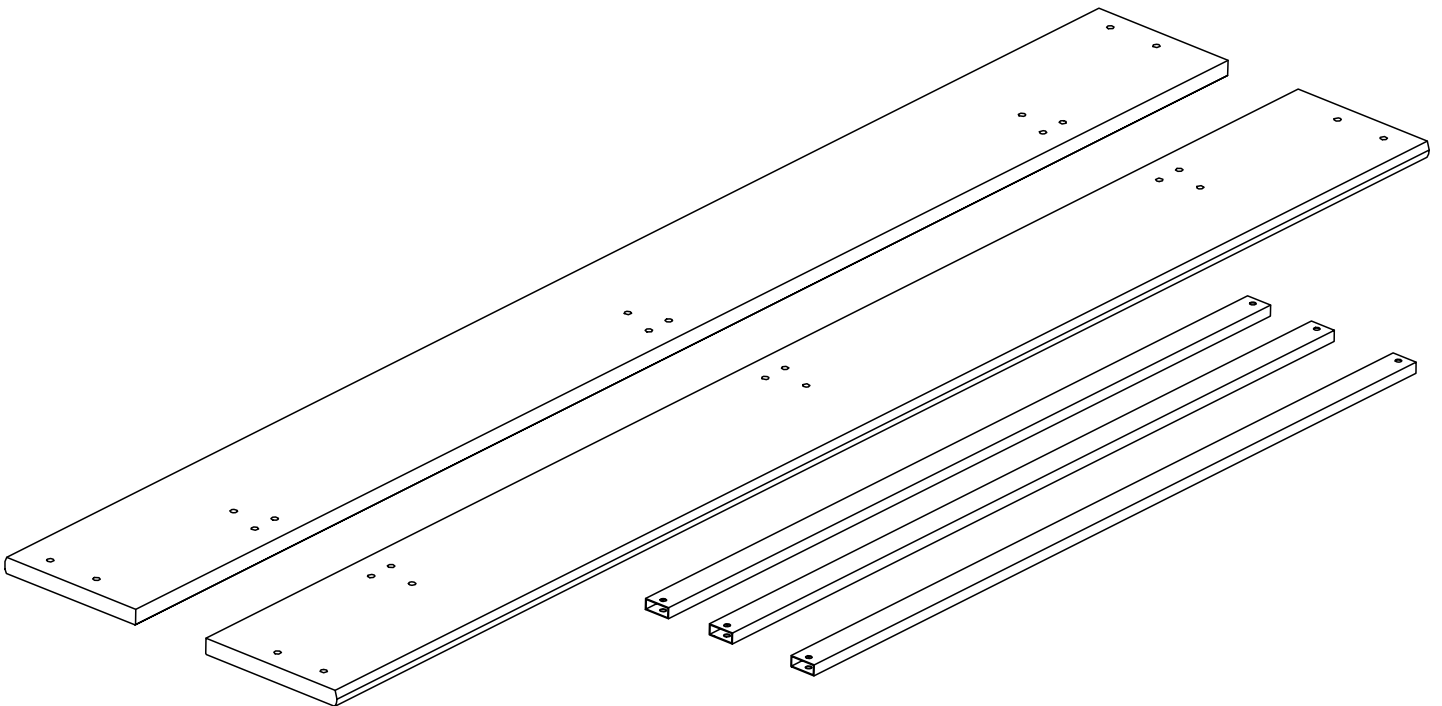


# 151160 Bed Rail Instructions



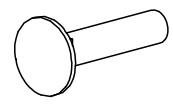
---

## Bed Rail Components



# Hardware Components

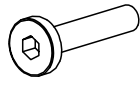
This bag contains small parts that present a choking hazard for children under 3 years of age. These parts are for adult assembly only and should be permanently affixed to the furniture. Any unused parts should be discarded properly.



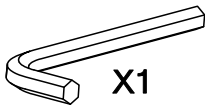
**X14**  
1/4-20 Carriage Bolt



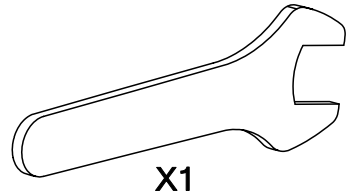
**X14**  
1/4-20 Flange Locknut



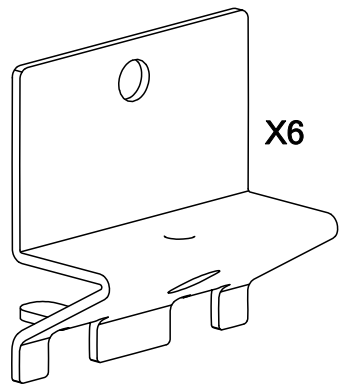
**X6**  
1/4-20 x 1" Cap Screw



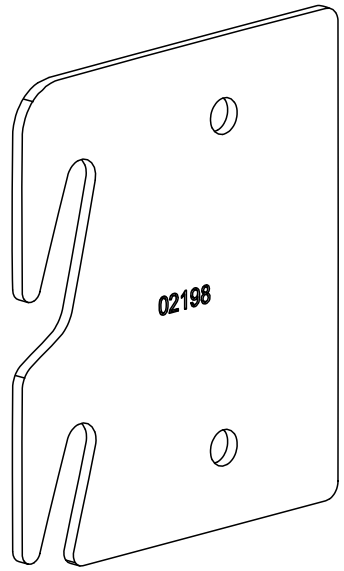
**X1**



**X1**

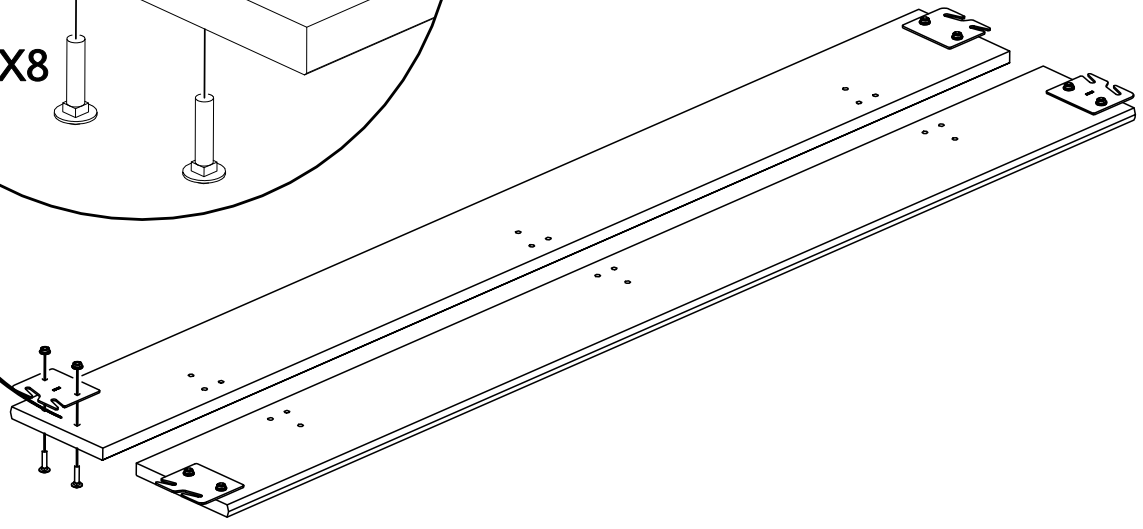
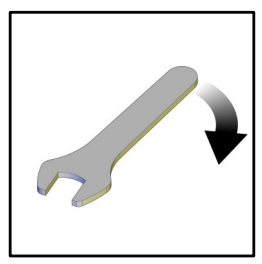
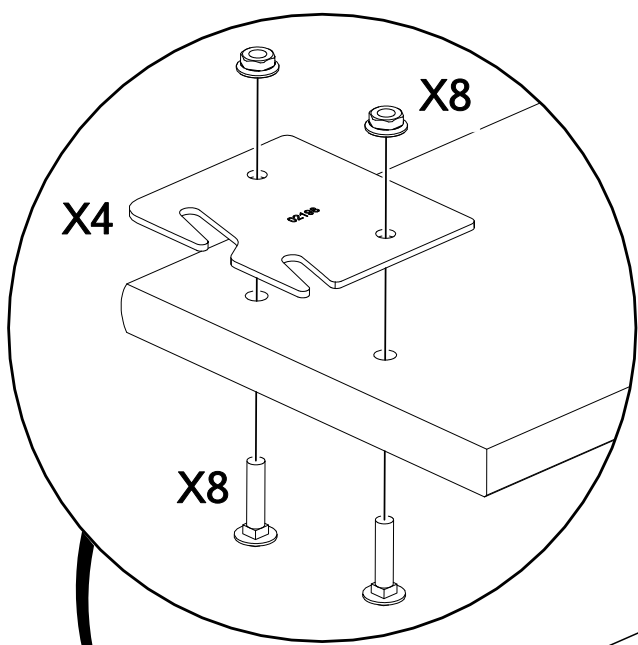


**X6**

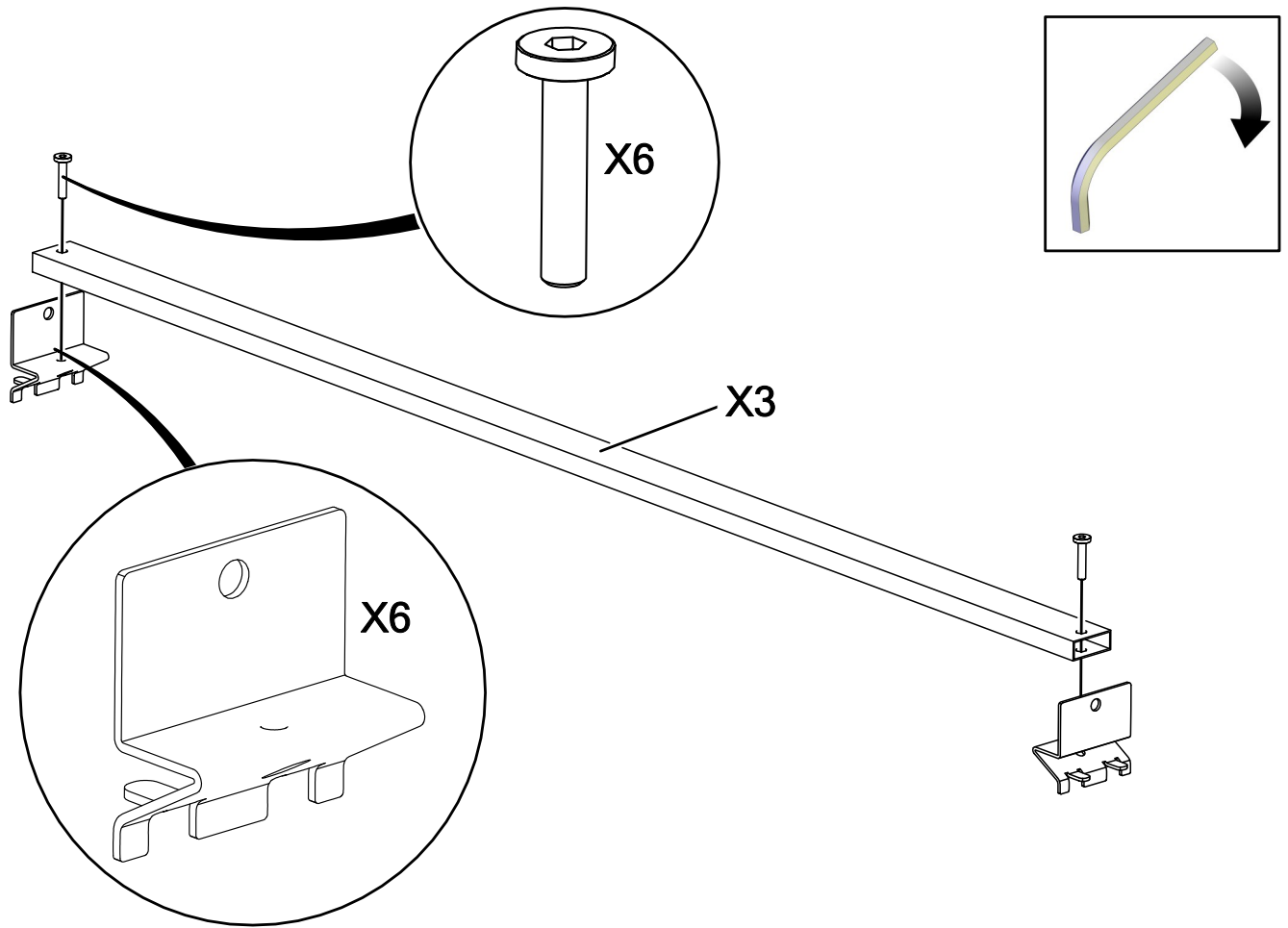


**X4**

## Step 1



## Step 2



## Step 3

