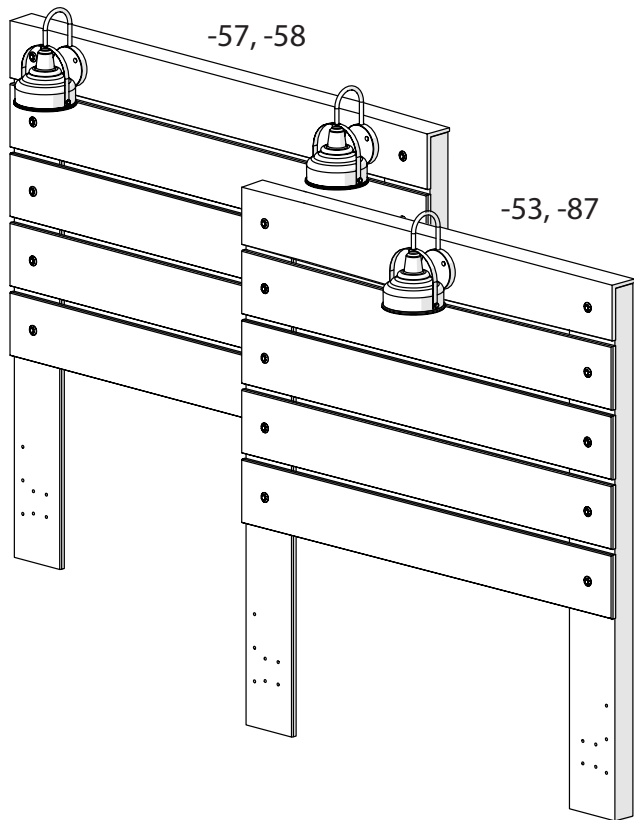
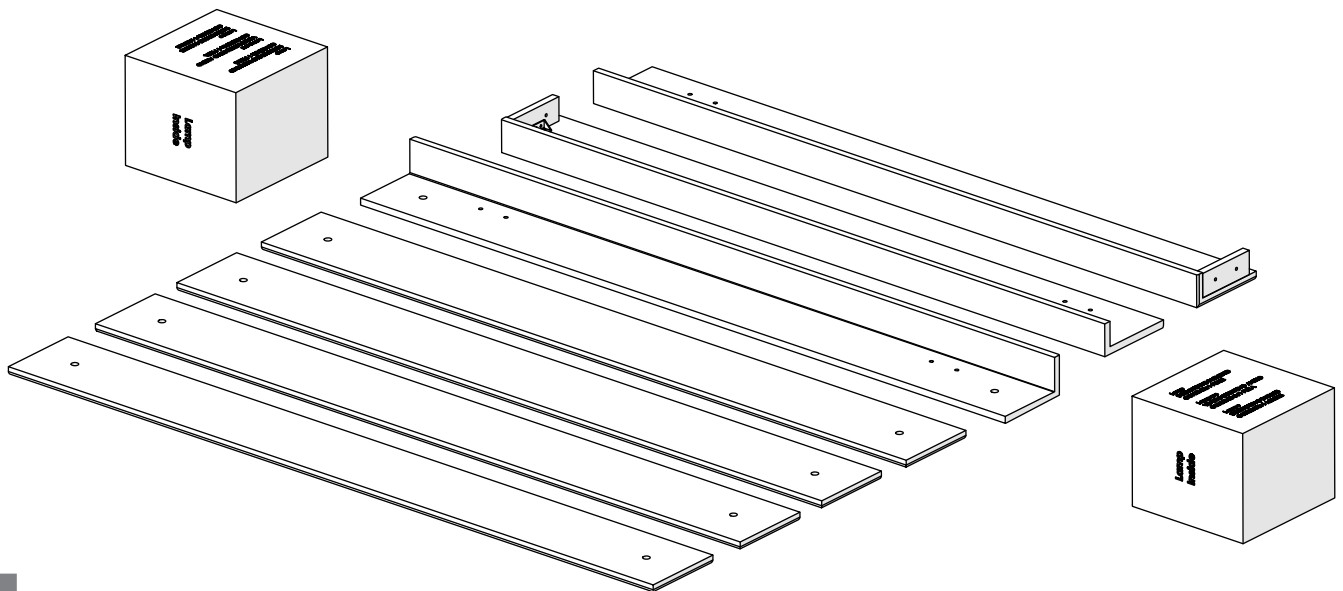
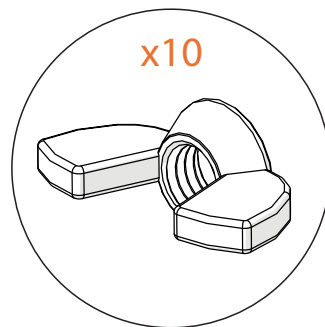
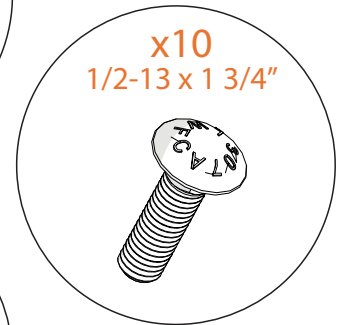
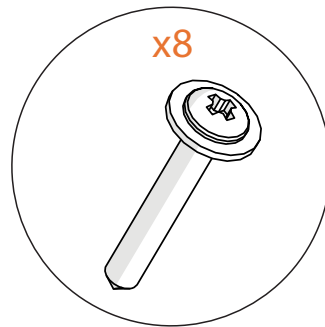


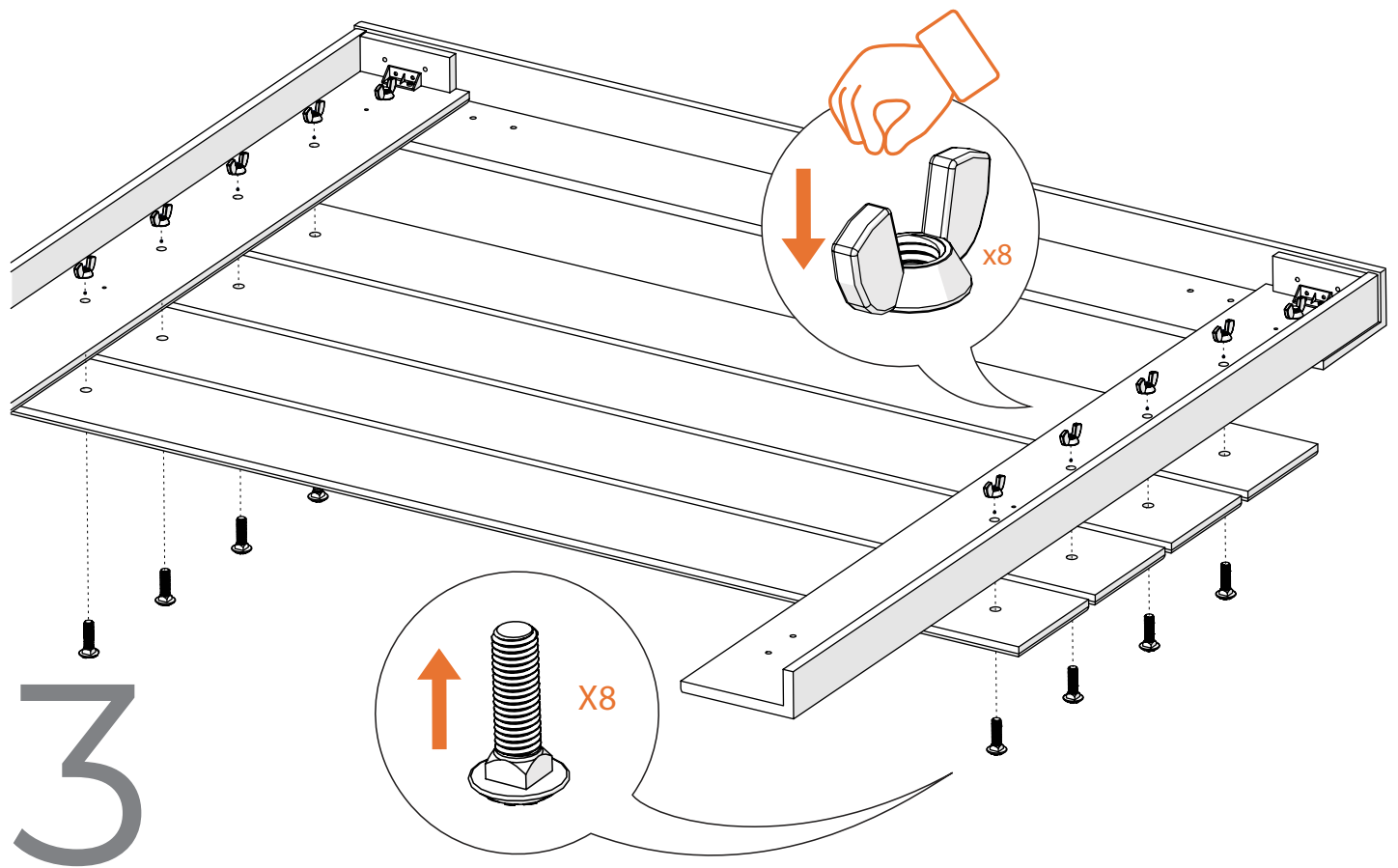
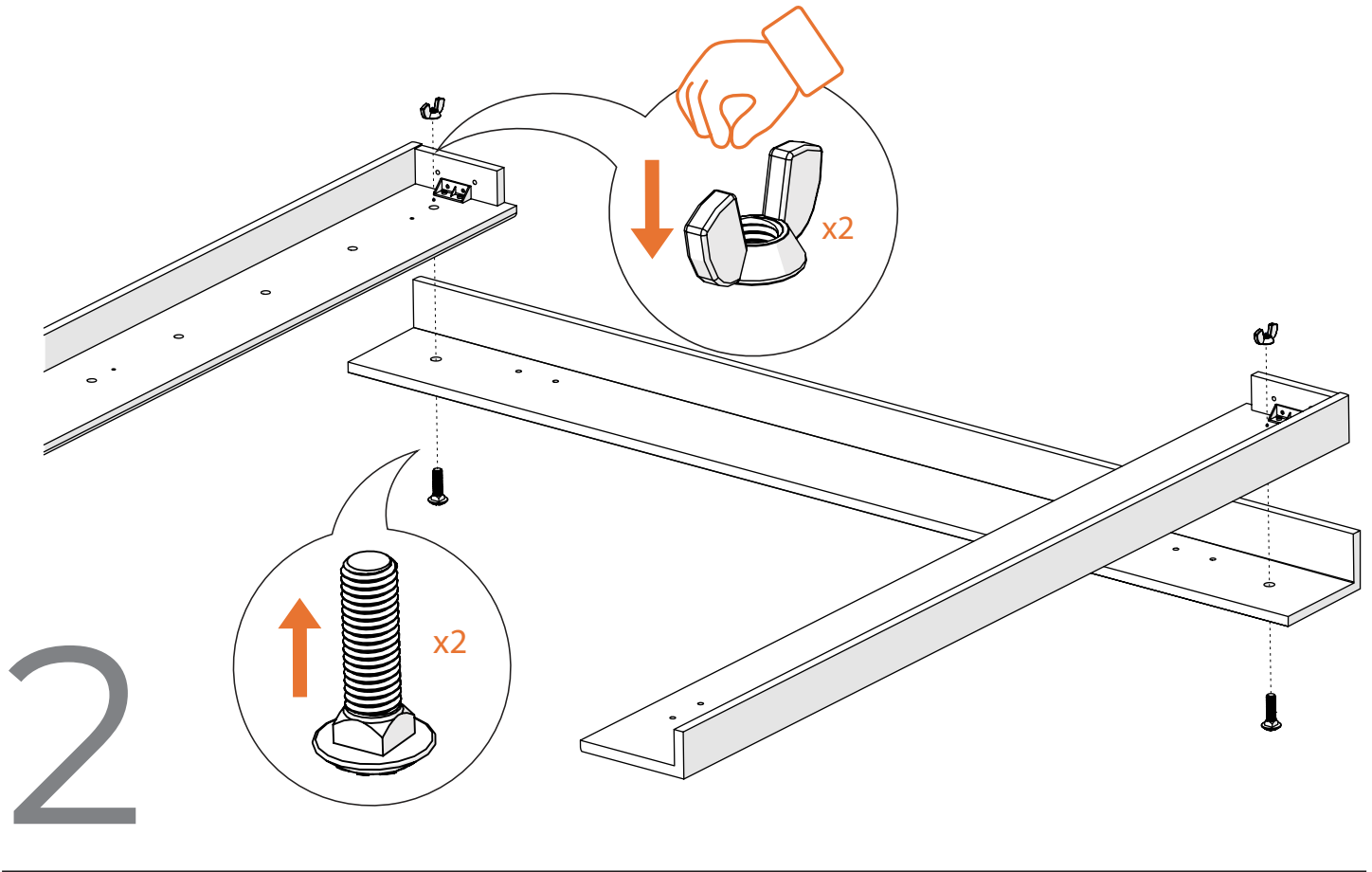
116029 Assembly Instructions

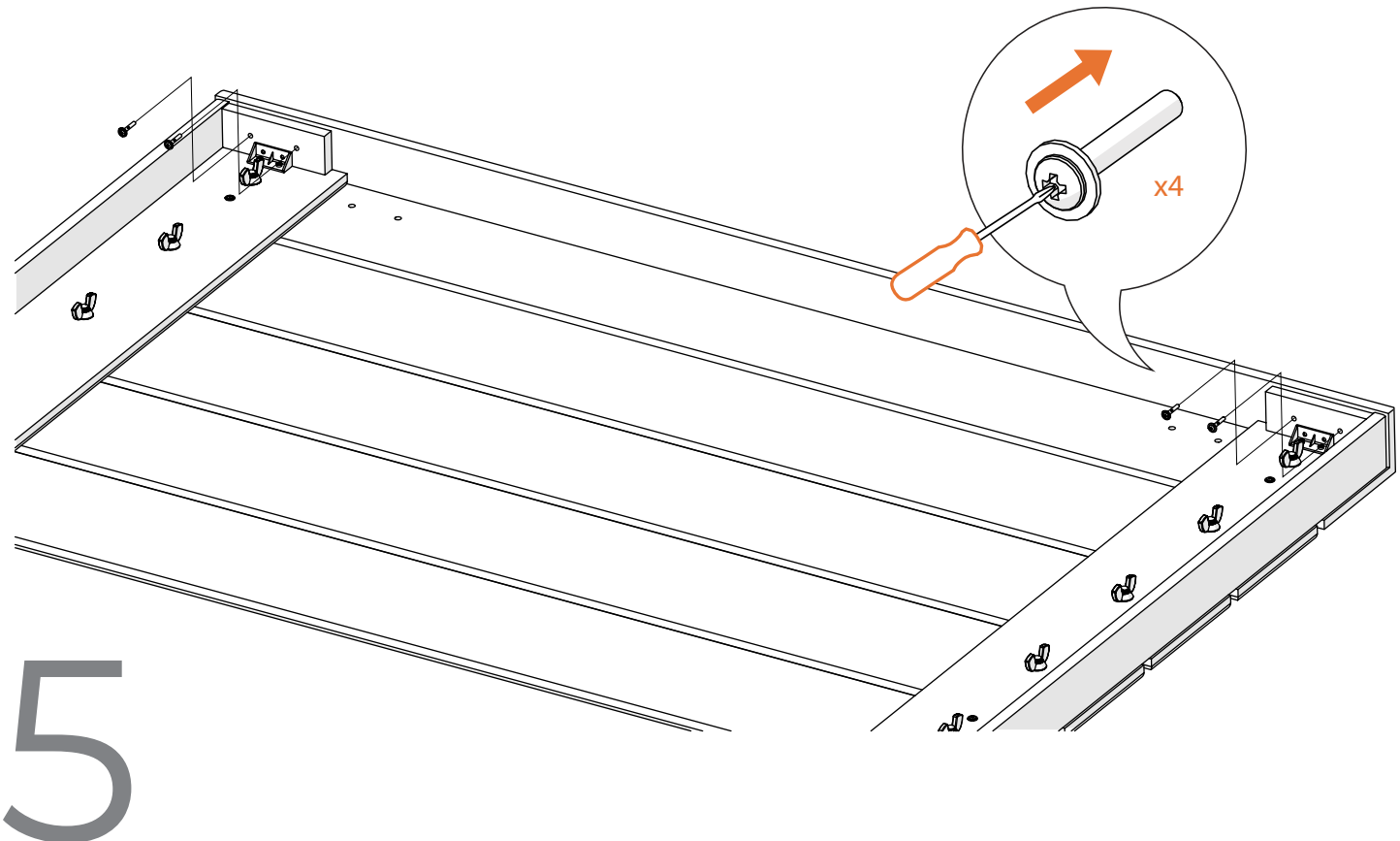
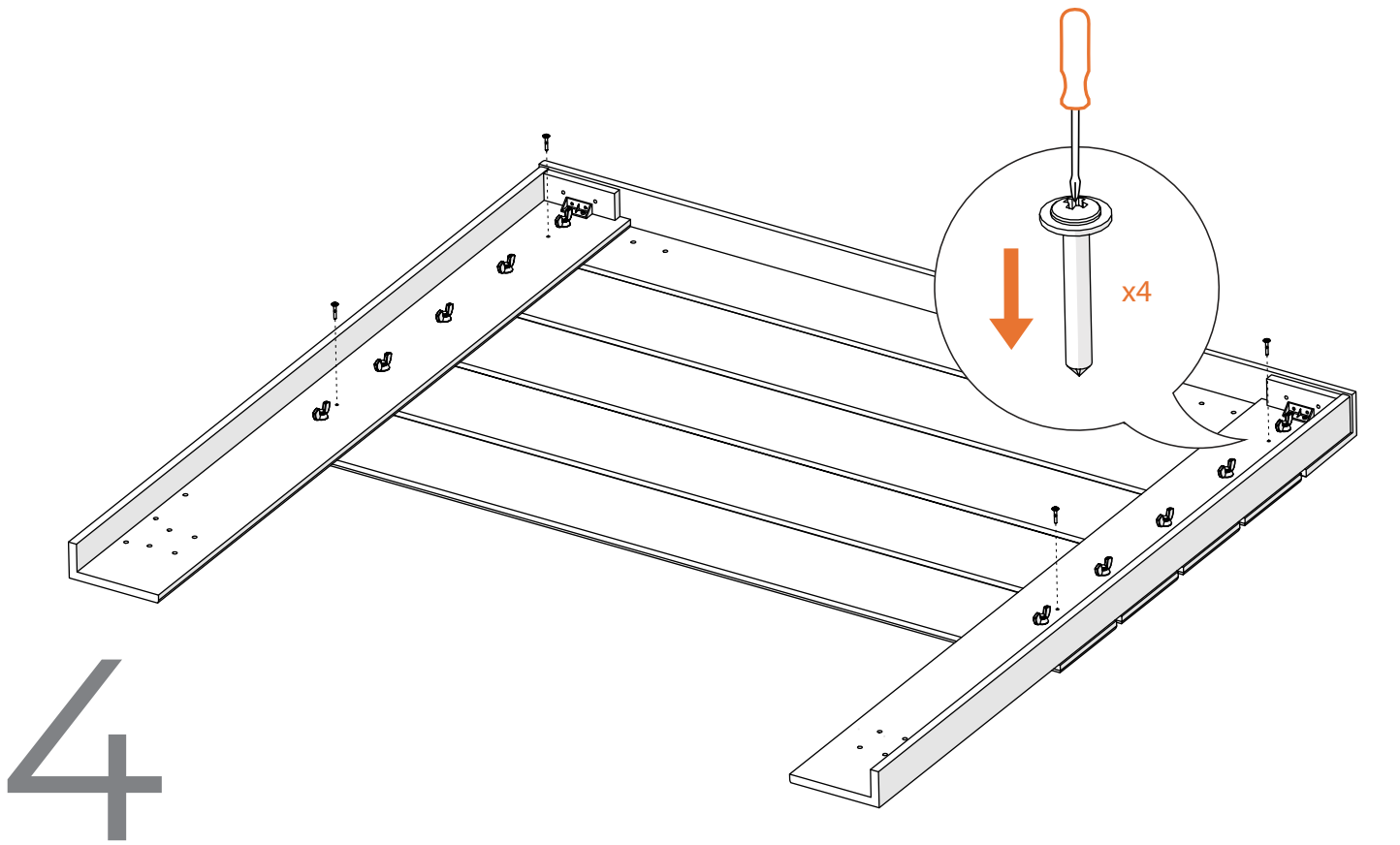


HARDWARE

This bag contains small parts that present a choking hazard for children under 3 years of age. These parts are for adult assembly only and should be permanently affixed to the furniture. Any unused parts should be discarded properly.







6

