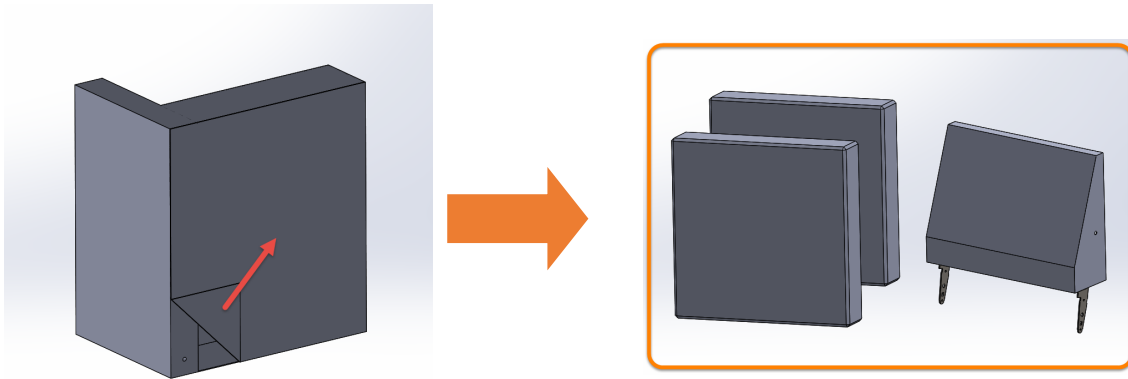
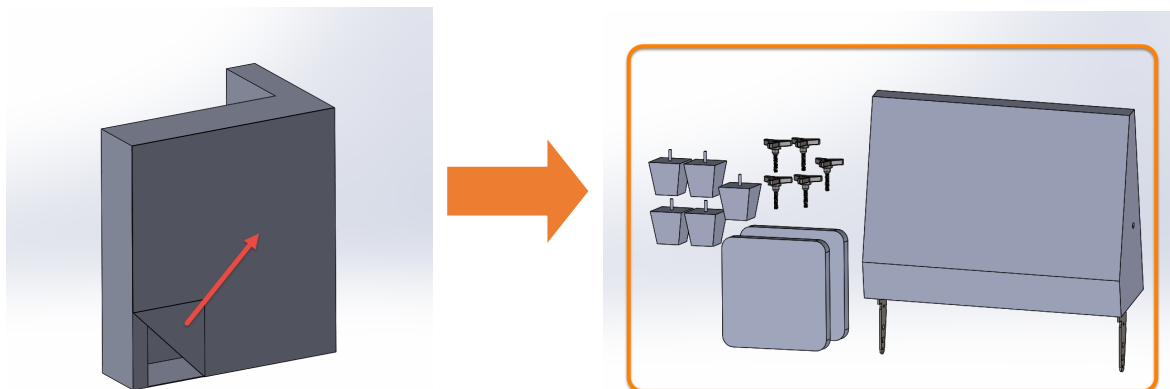


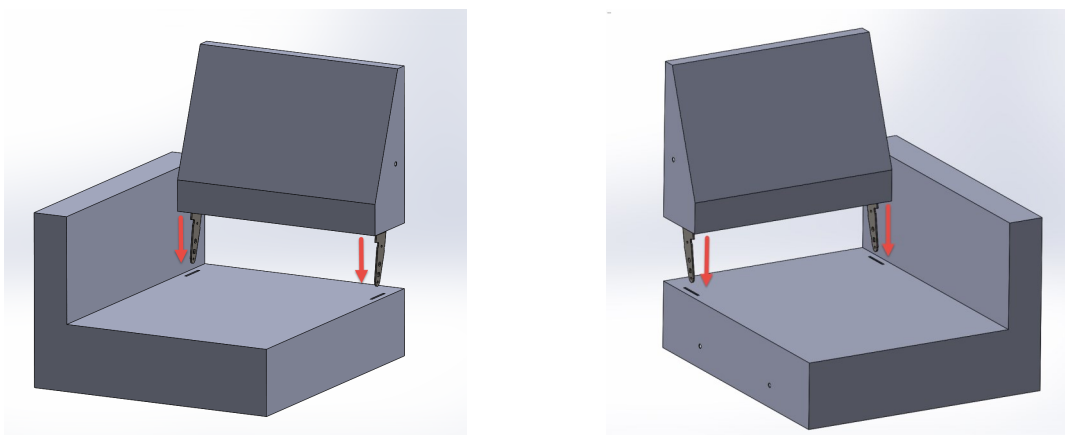
Remove bottom covering and take out 2 seat cushions and couch back.



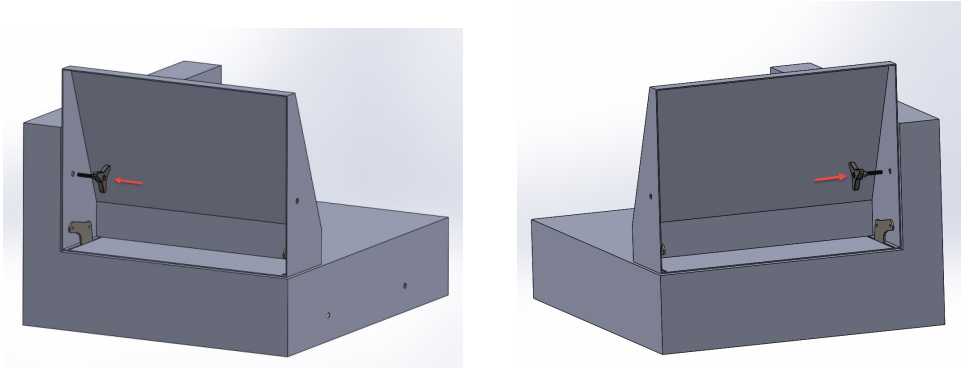
Remove back covering and take out 5 legs, 5 hand bolts, and 2 toss pillows and couch back.



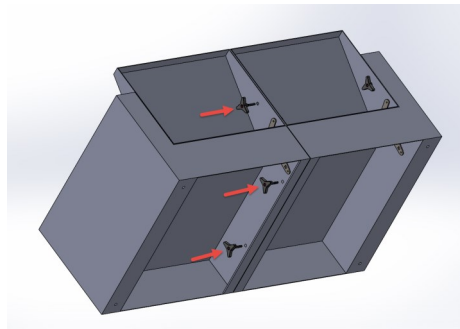
Place backs on the sofa ends using the KD brackets. Be sure to match left back to left seat and right back to right seat.



Use 1 hand bolt per side to attach back to sofa end.



Use 3 hand bolts to connect the two sofa ends together.



Replace the back and bottom coverings and apply 5 legs to the bottom. Flip unit upright and place seat and back cushions.

