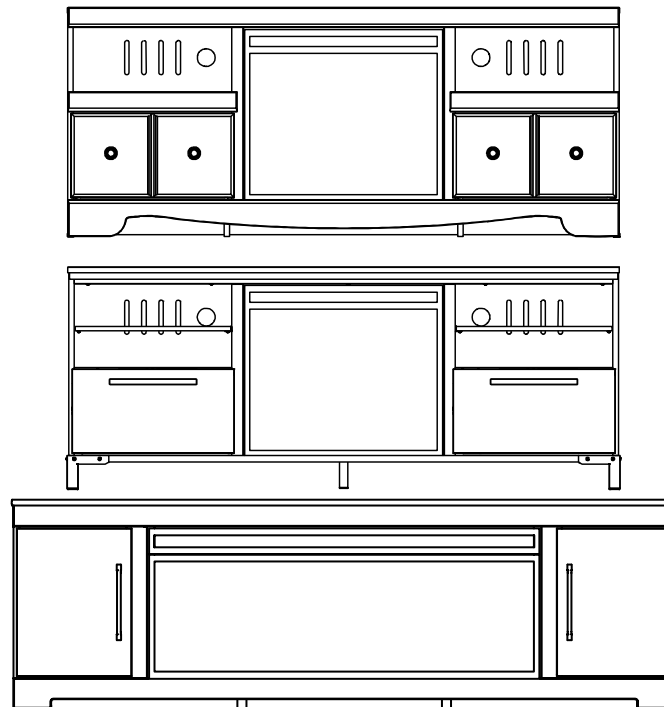


Assembly instructions for:  
**Fireplace**

Part # 134721 (06/13/23)

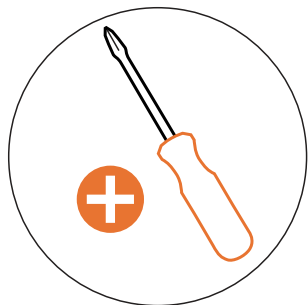
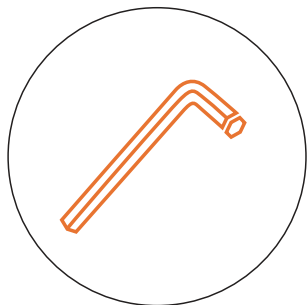


*Appearance of your unit may vary from those depicted above*

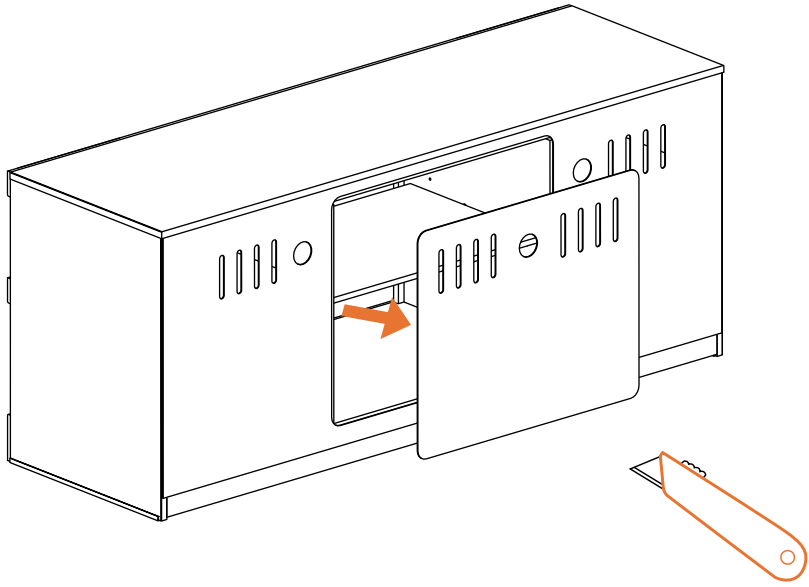


*Life doesn't come with instructions, but this does*

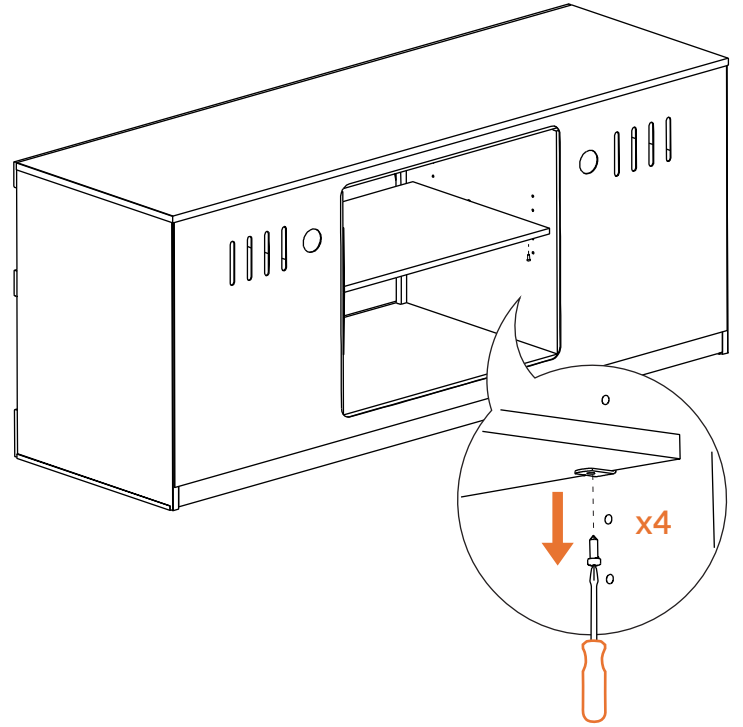
# TOOLS



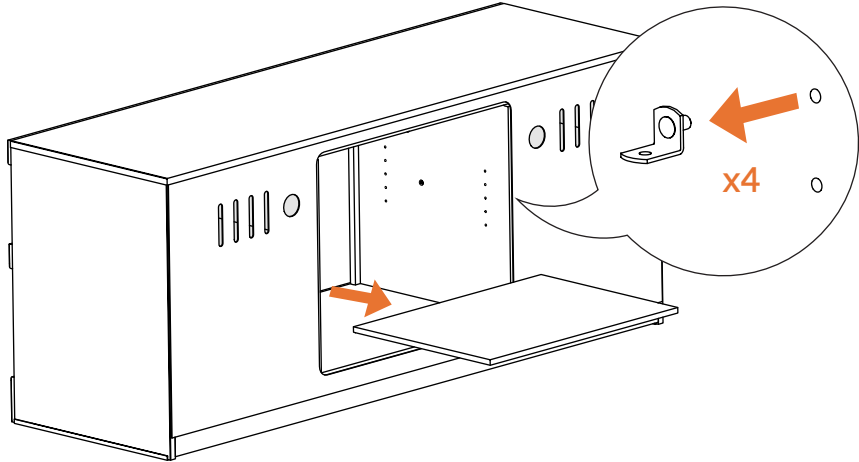
1



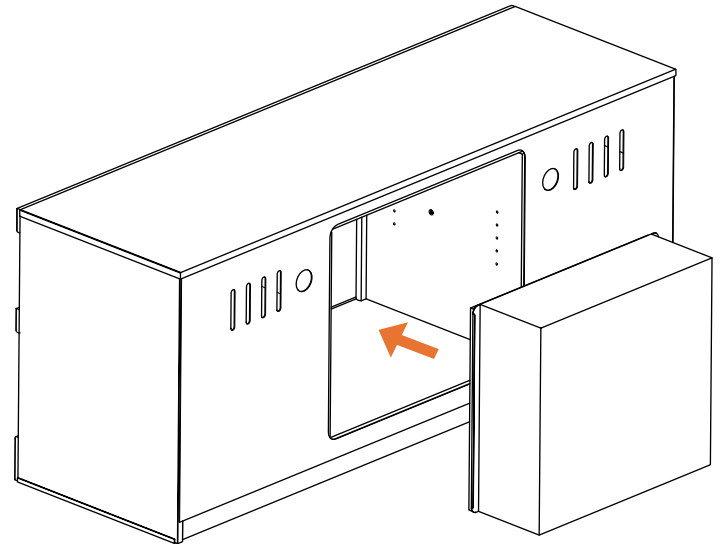
2



3

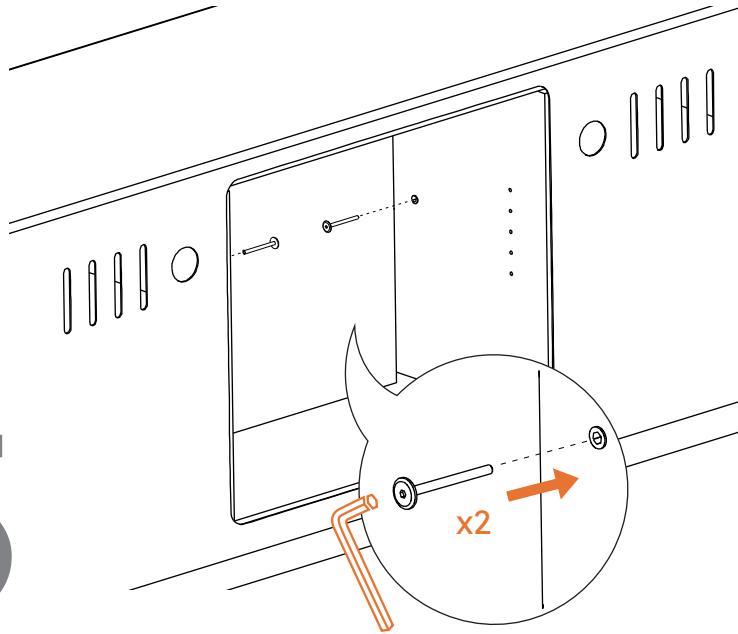


4



# W100 01,02 Installation

5



# W100-101,12 Installation

6

