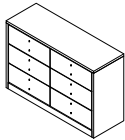



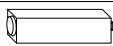


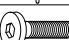
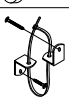


Thank you for purchasing this quality product. Be sure to check all packing materials carefully for small parts, which may have come loose inside the carton during shipment. Identify and count all items and compare with the parts list and/or hardware list shown below.

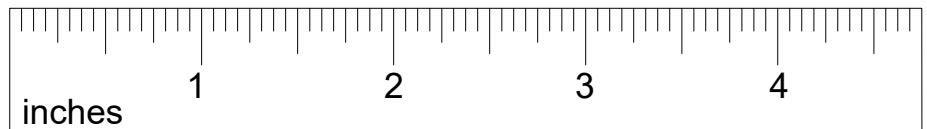
Please read all instructions carefully. See the hardware and furniture part listing for guidance. Be sure you have all parts listed before beginning assembly. Place all wooden parts on a clean, flat surface to protect the finish from scratches. Follow the diagram to assemble.

CAUTION

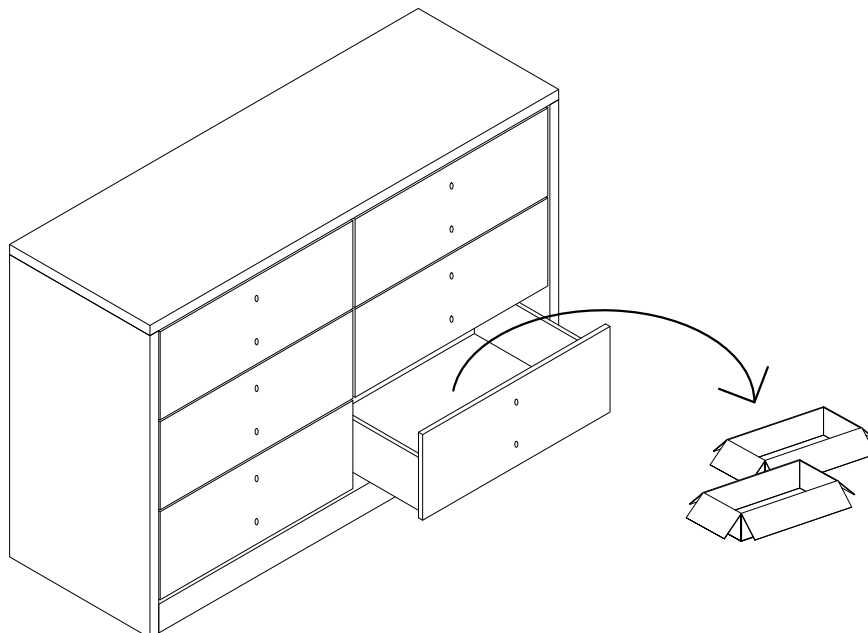
1. Do not fully tighten the nuts or bolts until the table is fully assembled.
2. Please tighten by hand, not by a drill. Overtightening will damage threads. Do not overtighten.
3. Keep all hardware out of the reach of children.

PARTS LIST				HARDWARE LIST			
ITEM	DESCRIPTION	SKETCH	QTY	ITEM	DESCRIPTION	SKETCH	QTY
A	DRESSER		1 PC	1	BOLT M6 x 5/8"		8 PCS
B	METAL LEG		4 PCS	2	SPRING WASHER M6 x 1/4"		8 PCS
C	CENTER SUPPORT LEG		1 PC	3	ALLEN KEY M4 x 2 3/8"		1 PC
				4	DRAWER HANDLE		6 PCS
				5	BOLT M6 x 1 3/8"		12 PCS
				6	TIPPING RESTRAINT		1 SET

**HARDWARE DIMENSIONS
VERIFICATION TOOL**



STEP 1: Locate the Metal Legs (B) and Drawer Handles (4) inside the bottom drawer.

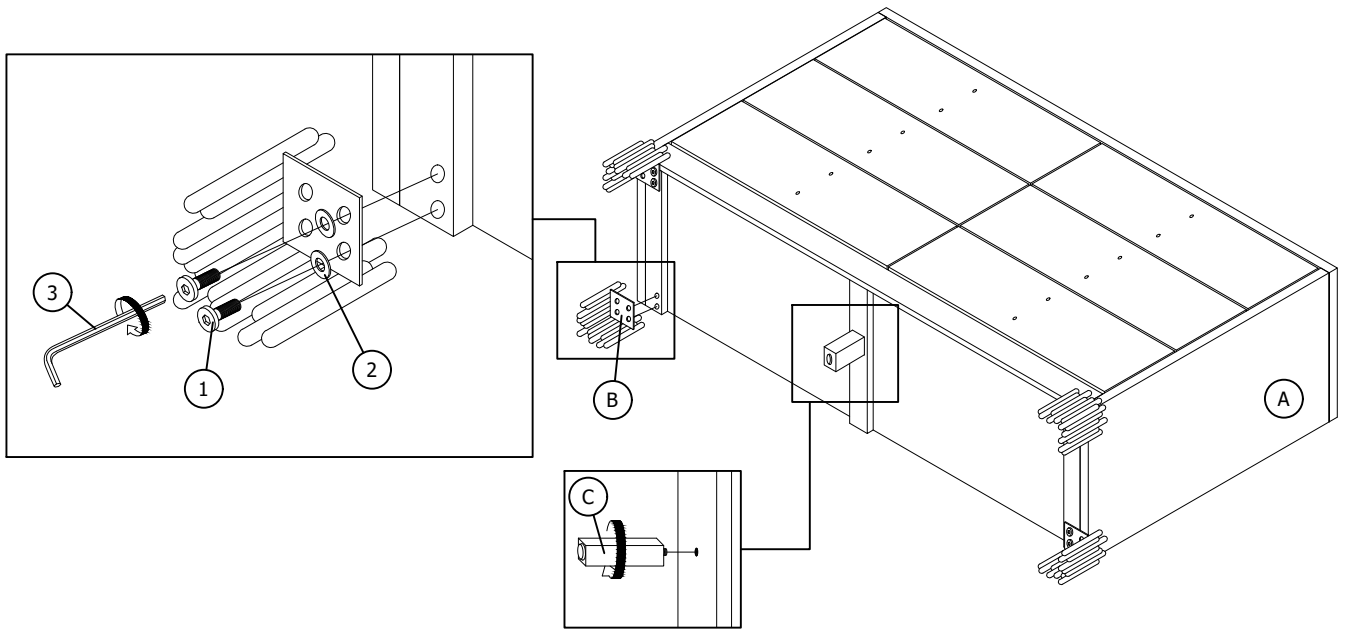


STEP 2: Place the Dresser (A) back side down on a soft and clean surface.

Assemble the Metal Legs (B) with the Dresser (A) by using Allen Key (3) with hardware 1 and 2.

Assemble the Center Support Leg (C) by turning it clockwise.

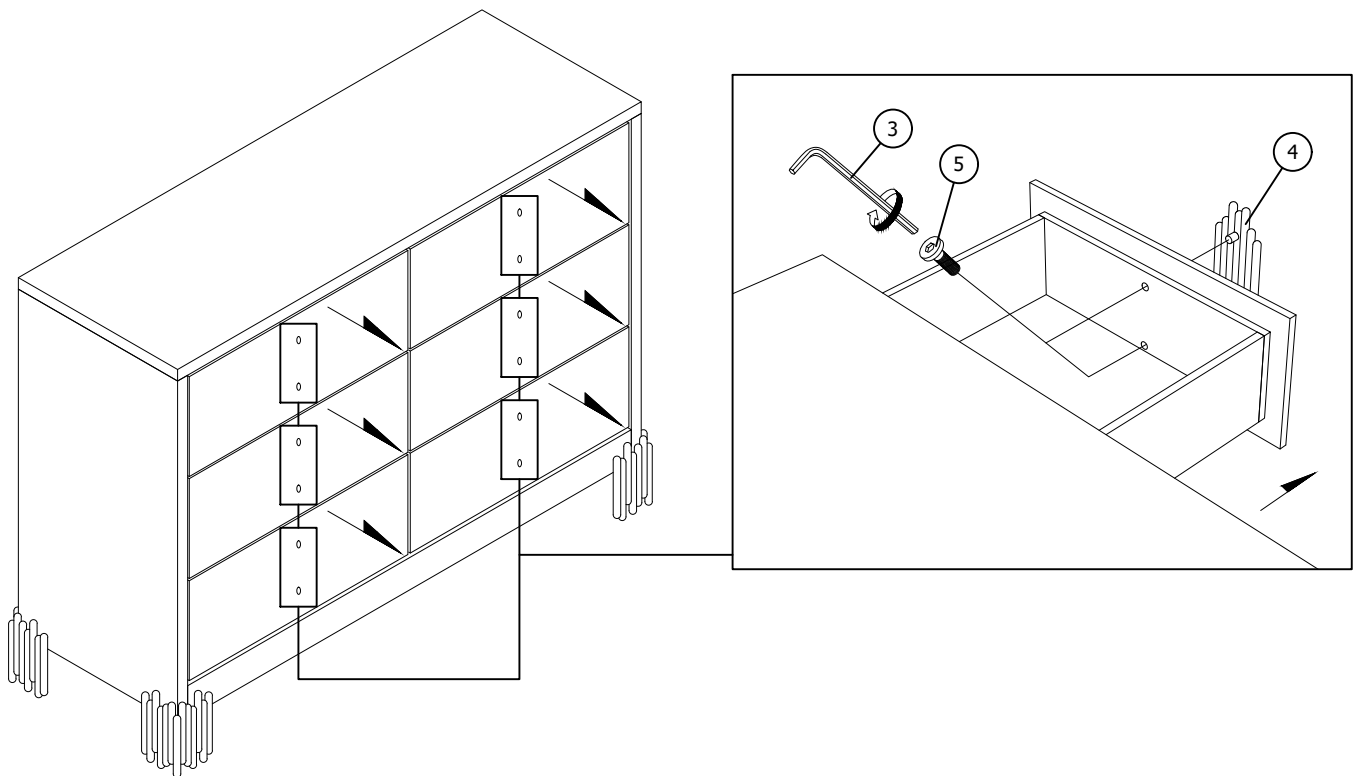
**** Attention: DO NOT OVER TIGHTEN THE BOLTS.**



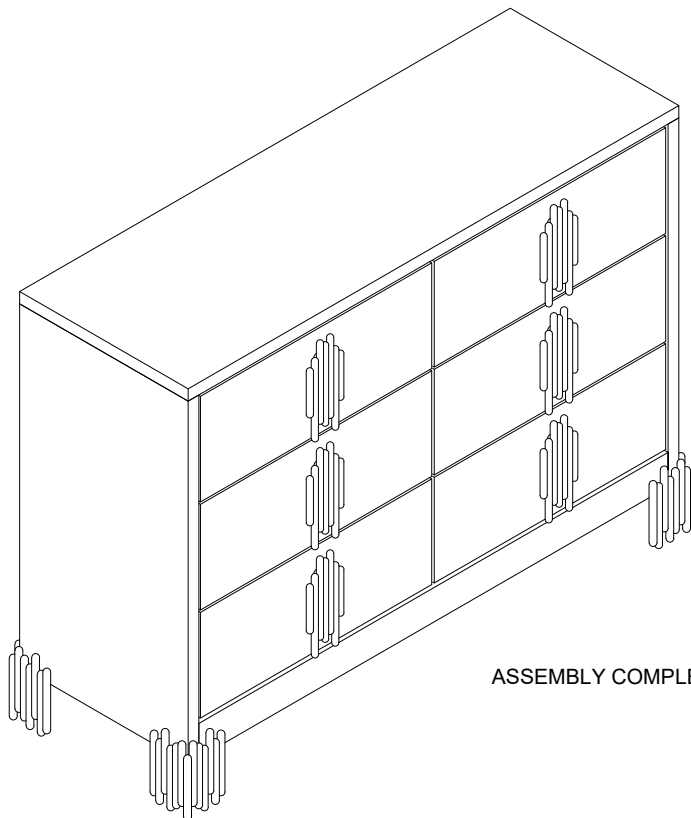
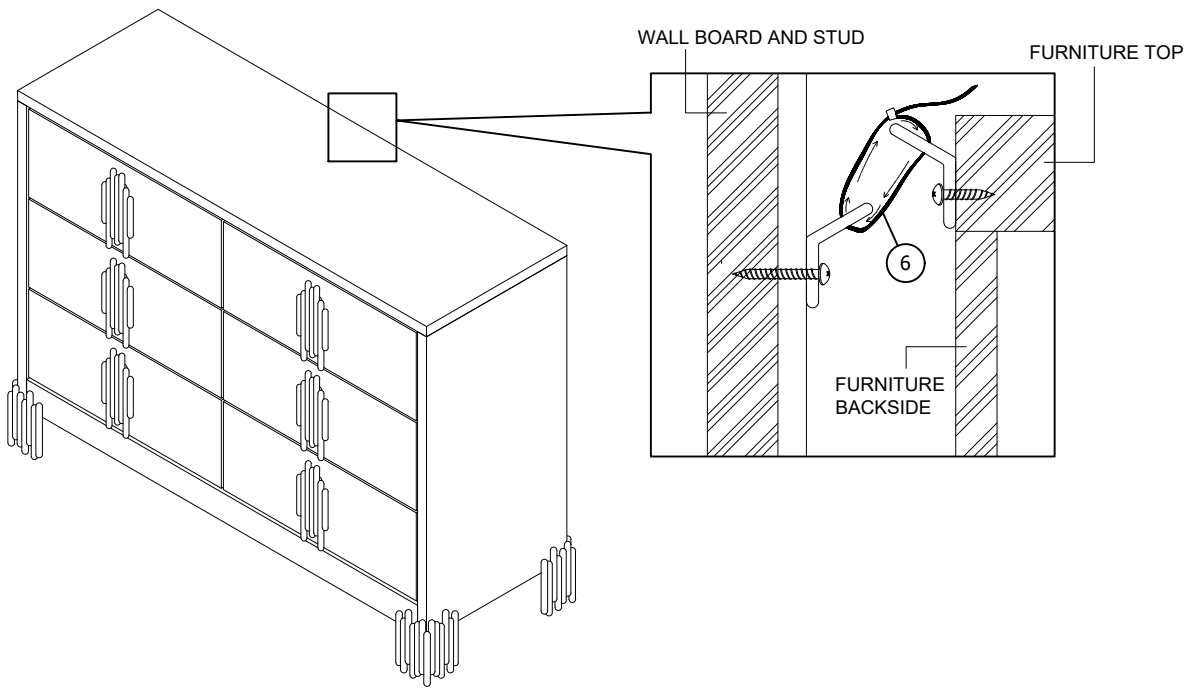
STEP 3: To install the handles, stand the dresser up.

Pull open the drawer and place the handle to the outside of the drawer and screw in the bolts from the inside of the drawer. Repeat for each handle.

****Attention: DO NOT OVER TIGHTEN THE BOLTS.**



STEP 4: Follow the instructions from the anti-tipping kit to install the Tipping Restraint (6).



ASSEMBLY COMPLETED