

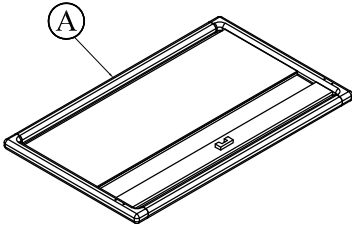
# SOL PLATFORM QUEEN / KING BED

## ASSEMBLY INSTRUCTIONS

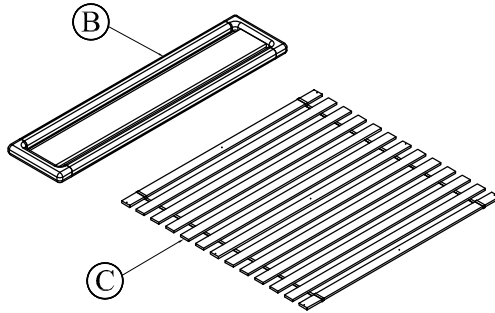


### PARTS AND FITTING PACKAGING DETAIL

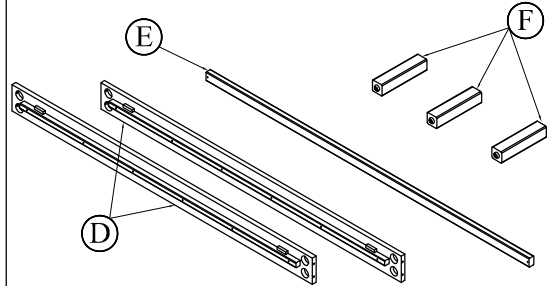
**BOX #1**  
A. HEADBOARD 1 PC



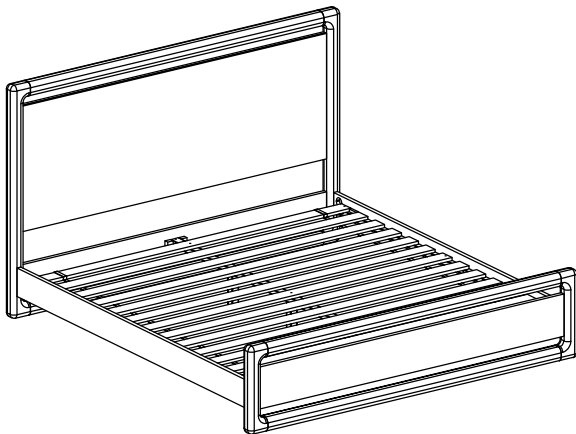
**BOX #2**  
B. FOOTBOARD 1 PC  
C. SLAT ROLL 1 SET



**BOX #3**  
D. SIDE RAILS 2 PCS  
E. CENTER SUPPORT 1 PC  
F. SUPPORT LEG 3 PCS



#### FULLY ASSEMBLED

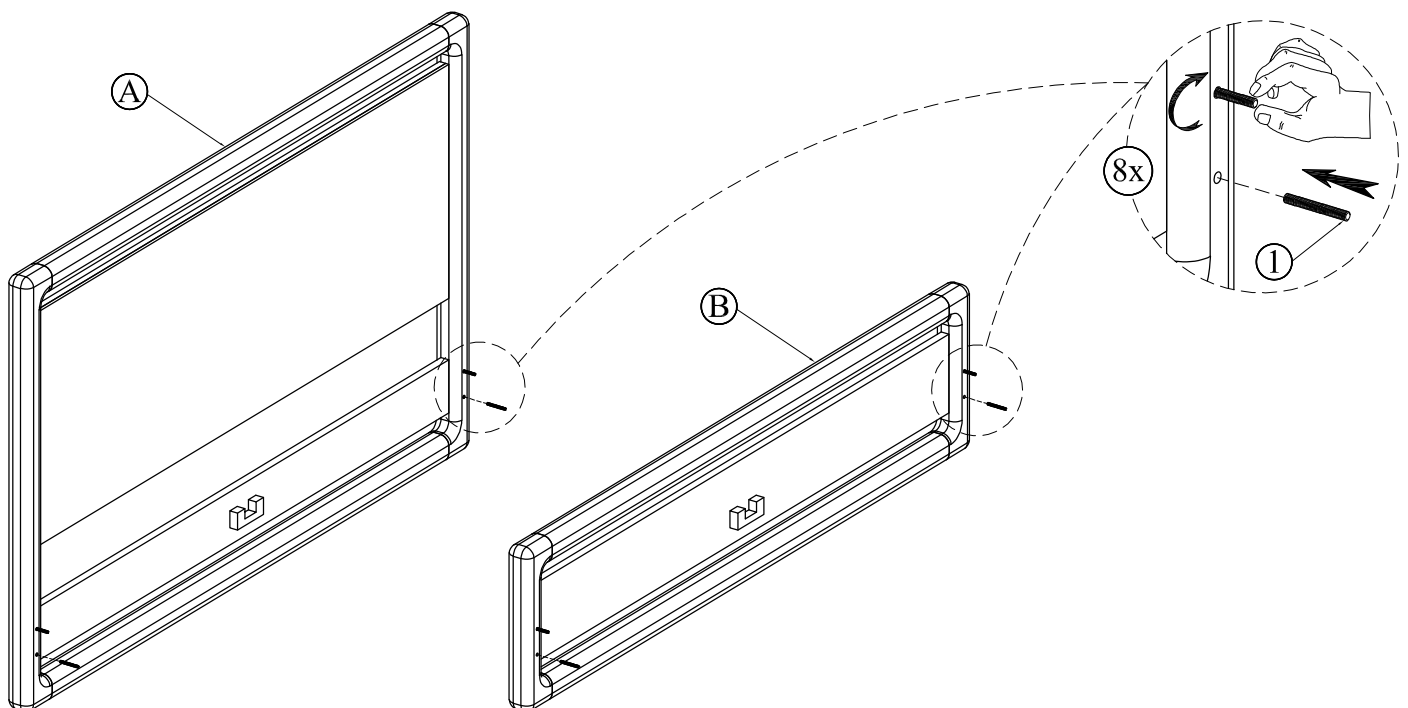


#### HARDWARE KIT PACKED IN BOX #2

1	THREADED BOLT (8x60mm)		8 PCS
2	ARC WASHER (2x14x26mm)		8 PCS
3	LOCK WASHER (M10)		8 PCS
4	HEX NUT (M8)		8 PCS
5	WRENCH		1 PC
6	WOOD SCREW (4x35mm)		2 PCS
7	WOOD SCREW (4x25mm)		9 PCS
8	ALLEN KEY		1 PC



#### STEP 1

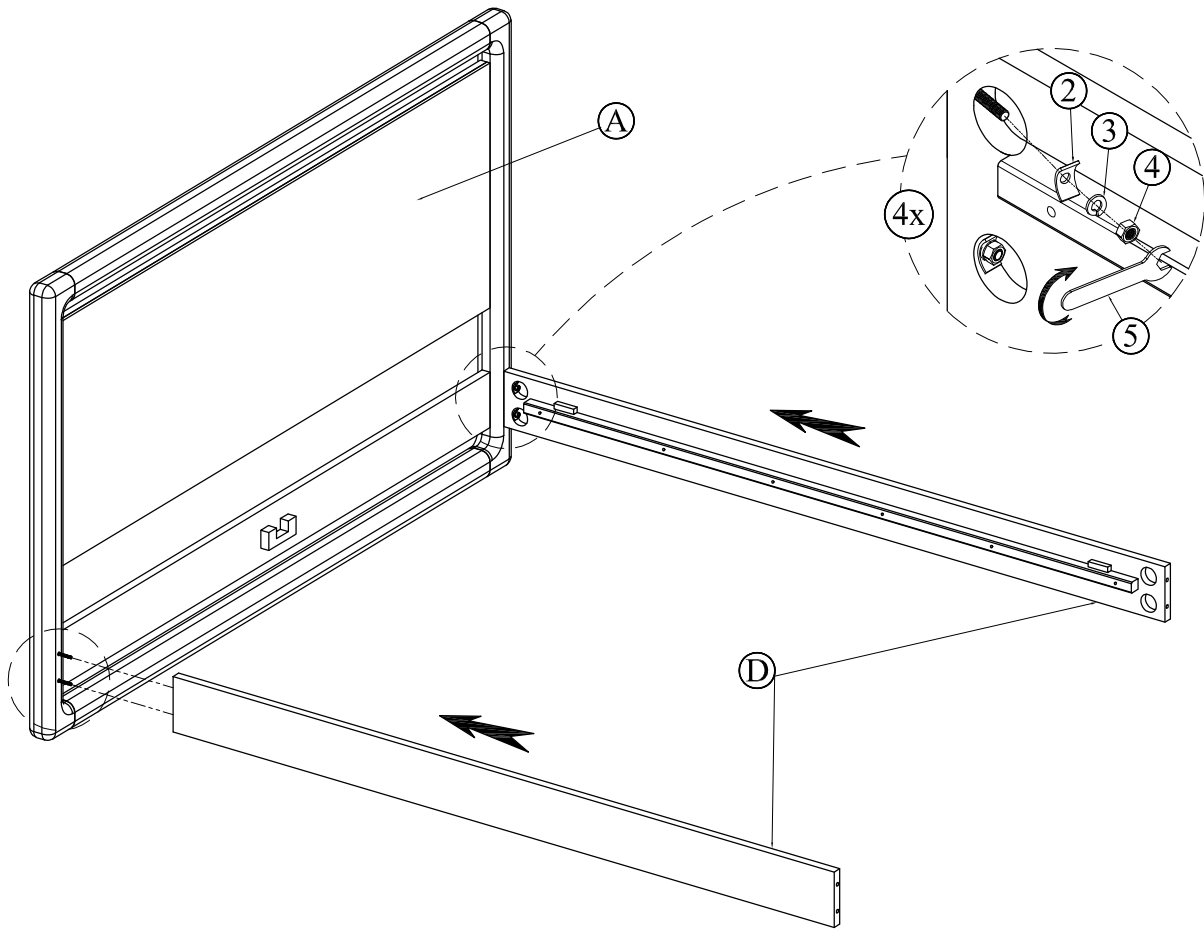


# SOL PLATFORM QUEEN / KING BED

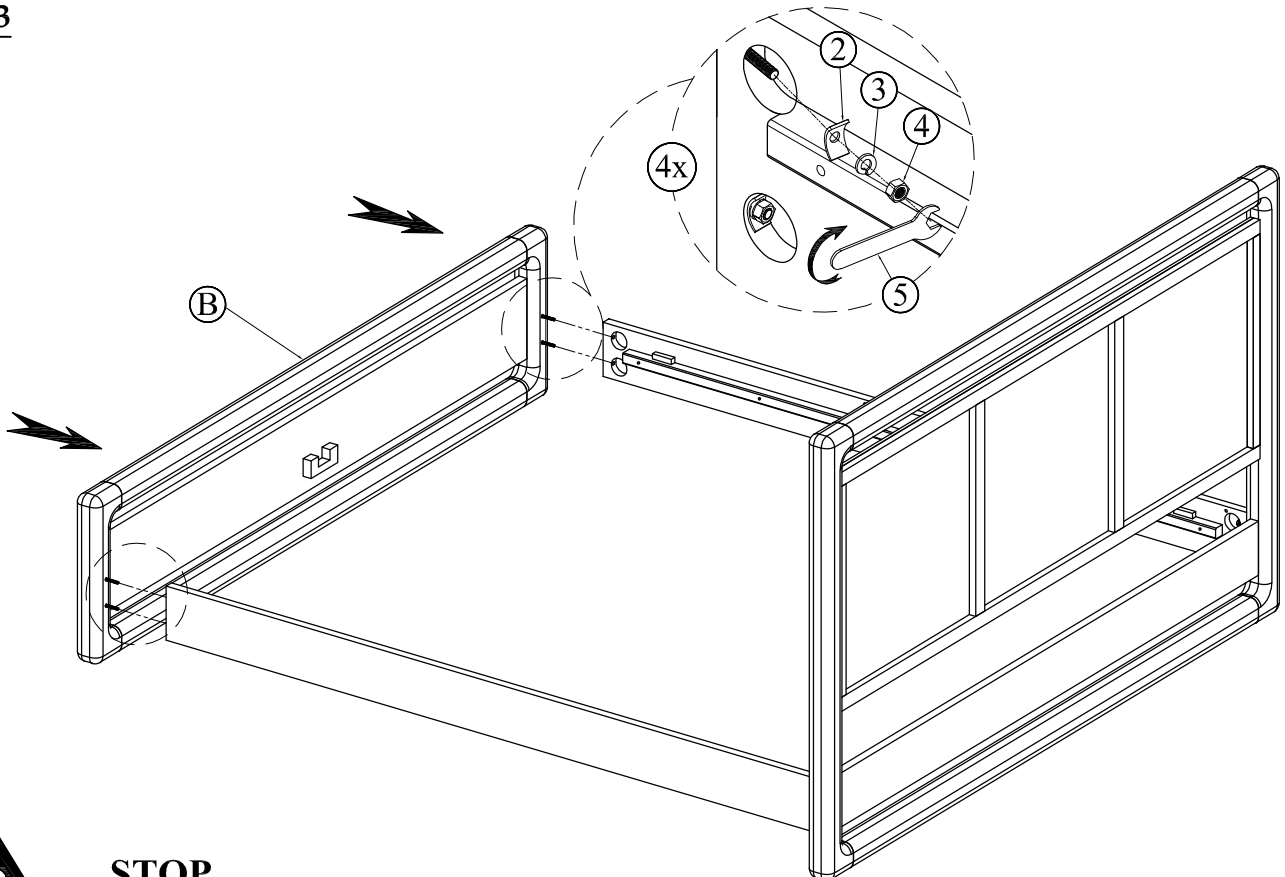
## ASSEMBLY INSTRUCTIONS



### STEP 2



### STEP 3



### STOP

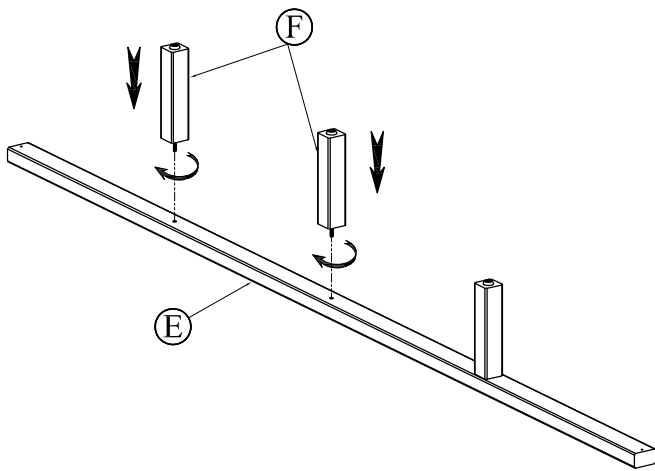
- IF USING BED WITH AN ADJUSTABLE MATTRESS BASE, SKIP STEPS 4, 5 & 6 AND REFERENCE APPENDIX A: ADJUSTABLE MATTRESS BASE ASSEMBLY SUPPLEMENT.
- IF USING BED FRAME WITH STANDARD BOX SPRING OR FOUNDATION, CONTINUE TO STEP 4

# SOL PLATFORM QUEEN / KING BED

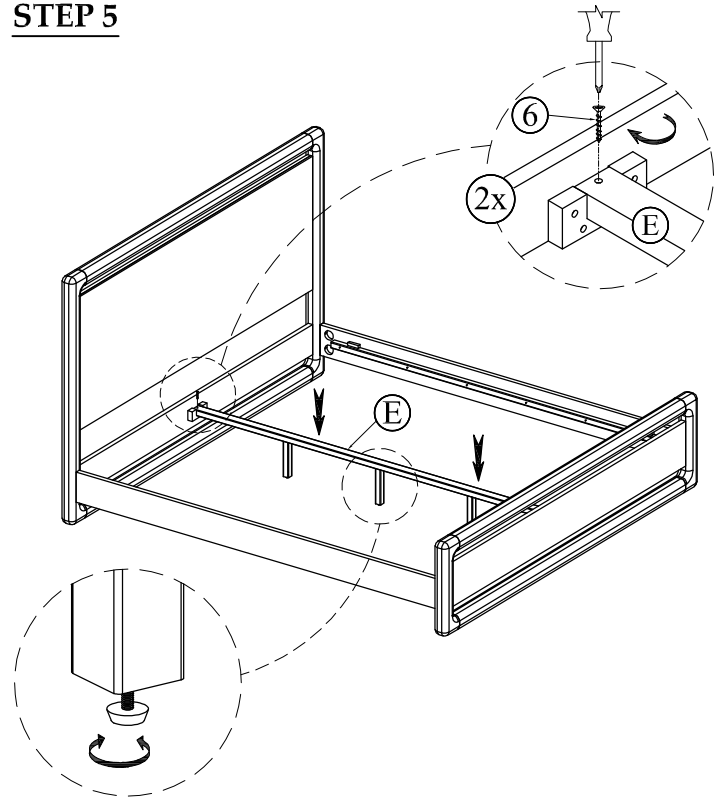
## ASSEMBLY INSTRUCTIONS



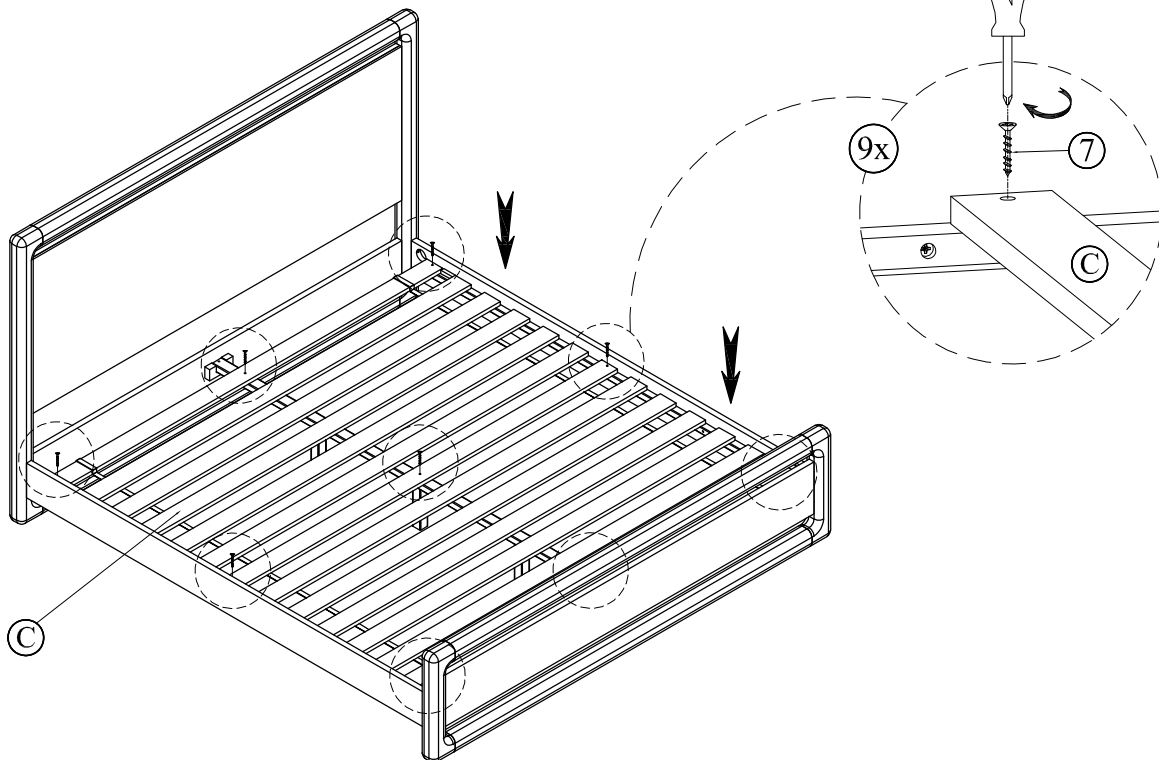
### STEP 4



### STEP 5



### STEP 6

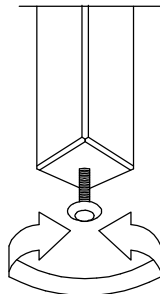


#### INSTRUCTIONS FOR ADJUSTING LEVELERS:

Position the bed in your space and locate the leveler under each leg support (F).

Turn the leveler counter-clockwise to extend and clockwise to retract it.

Adjust each leveler until each leg support is applying equal, upward pressure on the center slat.



#### MAINTENANCE INSTRUCTIONS:

- Periodically check all fittings and tighten if necessary, as they can loosen over time.
- Always remove box spring and mattress before moving the bed.
- Lift the bed when moving it. Dragging the bed can damage the center support.
- Readjust levelers after moving the bed.

# SOL PLATFORM QUEEN / KING BED



## ASSEMBLY INSTRUCTIONS

### APPENDIX A: ADJUSTABLE MATTRESS BASE ASSEMBLY SUPPLEMENT

AN ADJUSTABLE MATTRESS BASE IS A FREESTANDING MATTRESS SUPPORT THAT SITS WITHIN THE PERIMETER OF THE BED FRAME. IF USING THIS BED FRAME WITH A STANDARD BOX SPRING OR FOUNDATION THESE INSTRUCTIONS DO NOT APPLY.

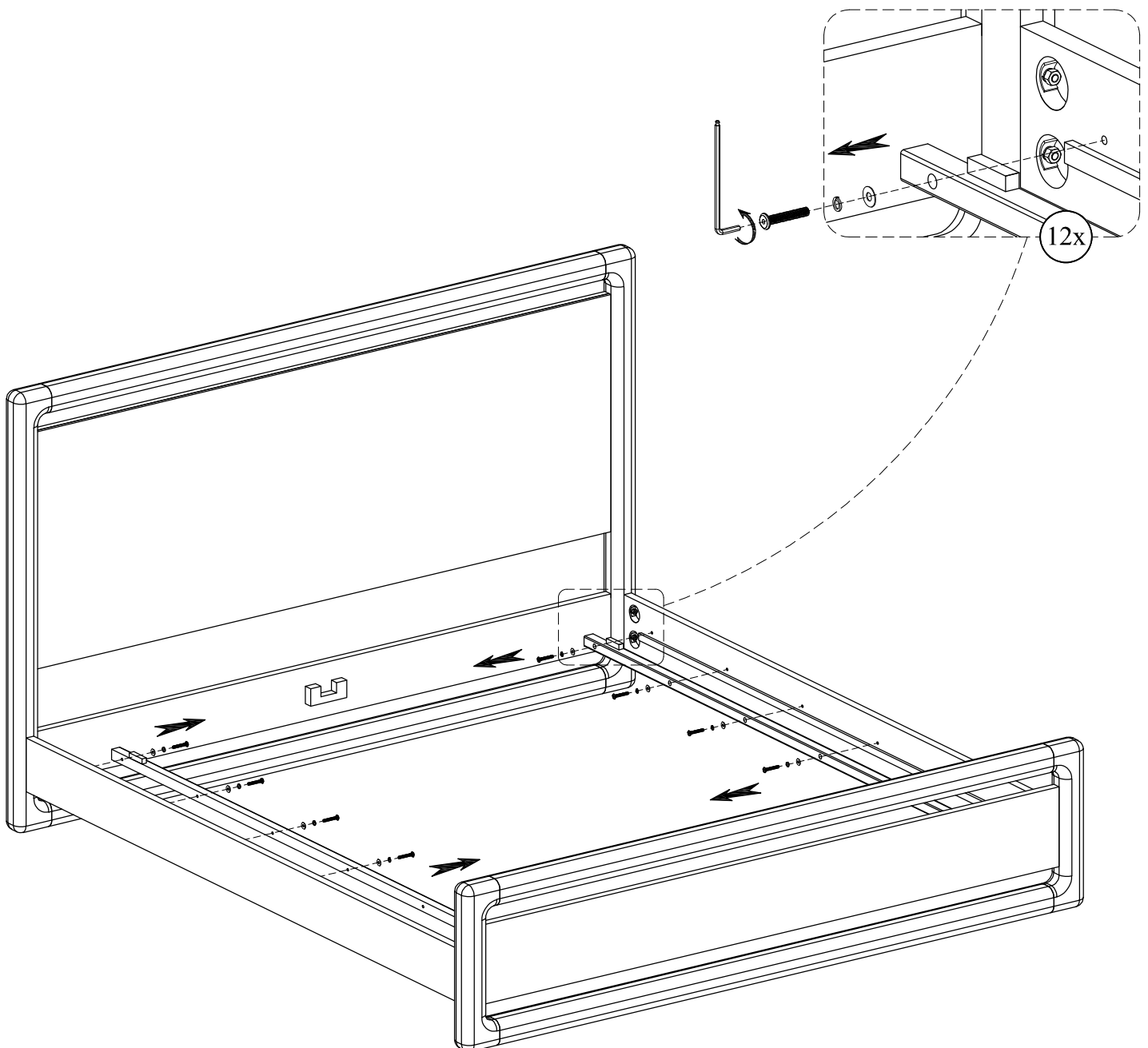
PRE-ASSEMBLED SIDE RAIL CLEATS OBSTRUCT ADJUSTABLE BASE INSTALLATION AND OPERATION. FOLLOW THESE INSTRUCTIONS TO REMOVE THEM.

THE FOLLOWING PARTS ARE NOT REQUIRED FOR ADJUSTABLE MATTRESS BASE INSTALLATION:

C. SLAT ROLL	: 1SET	*WOOD SCREW (4x35mm)	: 2PCS
E. CENTER SUPPORT	: 1PC	*WOOD SCREW (4x25mm)	: 9PCS
F. SUPPORT LEG	: 3PCS		

#### STEP #1:

USE ALLEN KEY (8) TO UNSCREW ALLEN BOLTS AND REMOVE PRE-ASSEMBLED SIDE RAIL CLEATS.



NOTE: YOU MAY WISH TO RETAIN UNUSED PARTS IF IN THE FUTURE YOU INTEND TO USE THE BED FRAME WITH A STANDARD BOX SPRING OR FOUNDATION.

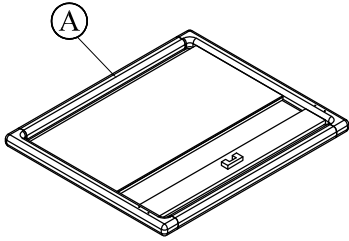
# SOL PLATFORM FULL BED

## ASSEMBLY INSTRUCTIONS

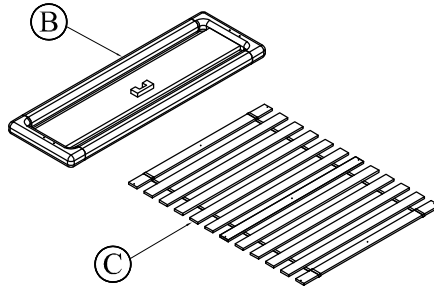


### PARTS AND FITTING PACKAGING DETAIL

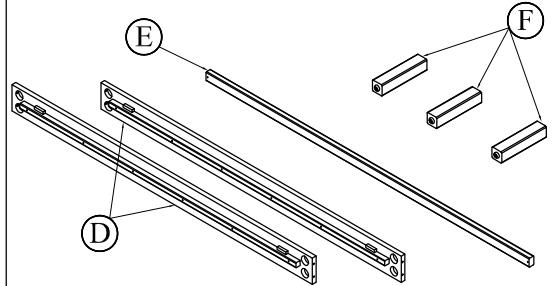
**BOX #1**  
**A. HEADBOARD** 1 PC



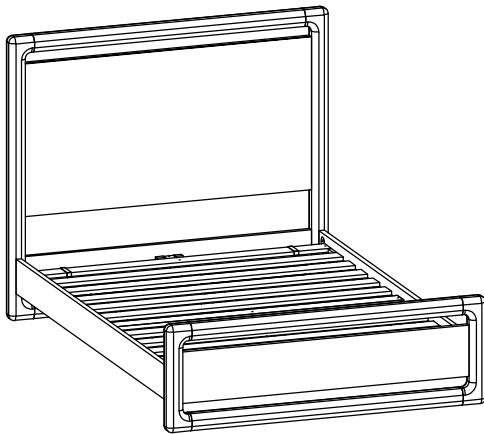
**BOX #2**  
**B. FOOTBOARD** 1 PC  
**C. SLAT ROLL** 1 SET



**BOX #3**  
**D. SIDE RAILS** 2 PCS  
**E. CENTER SUPPORT** 1 PC  
**F. SUPPORT LEG** 3 PCS



#### FULLY ASSEMBLED

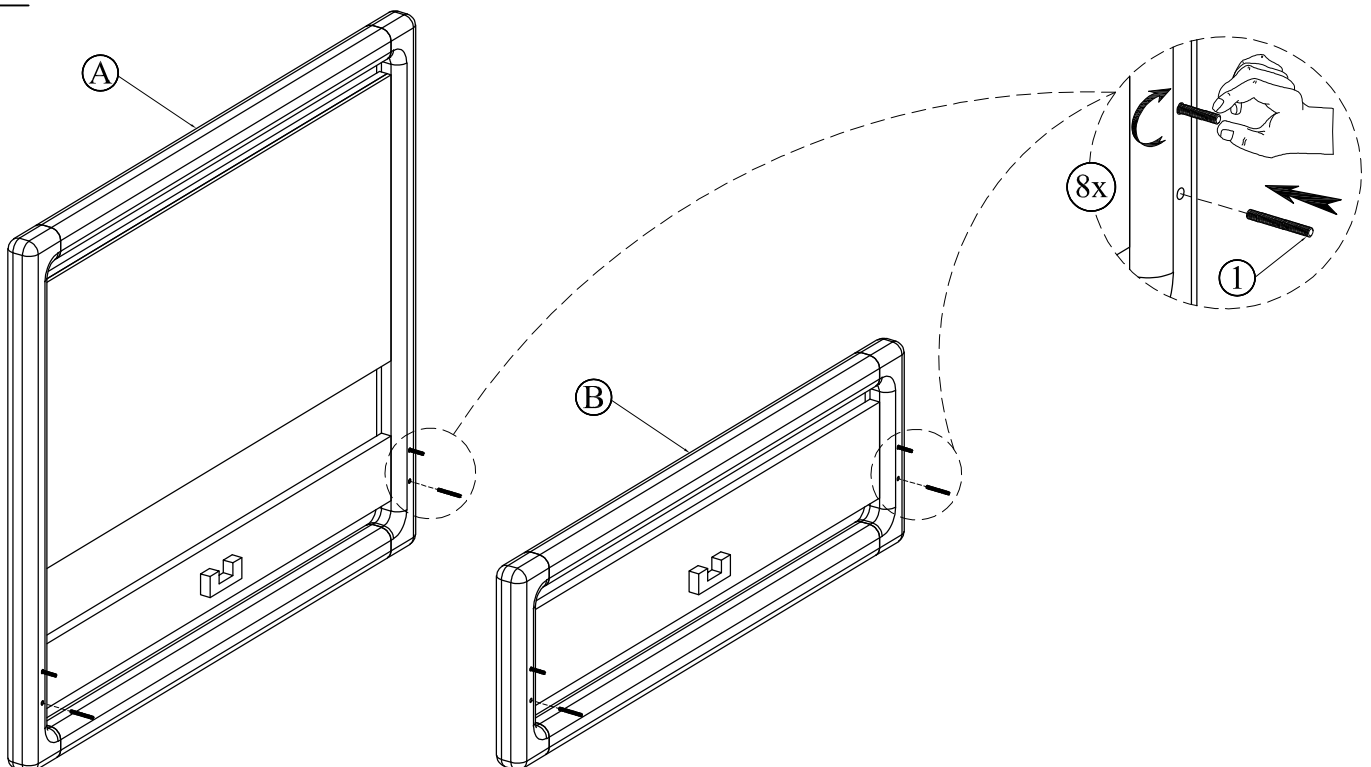


#### HARDWARE KIT PACKED IN BOX #2

1	THREADED BOLT (8x60mm)		8 PCS
2	ARC WASHER (2x14x26mm)		8 PCS
3	LOCK WASHER (M10)		8 PCS
4	HEX NUT (M8)		8 PCS
5	WRENCH		1 PC
6	WOOD SCREW (4x35mm)		2 PCS
7	WOOD SCREW (4x25mm)		9 PCS
8	ALLEN KEY		1 PC



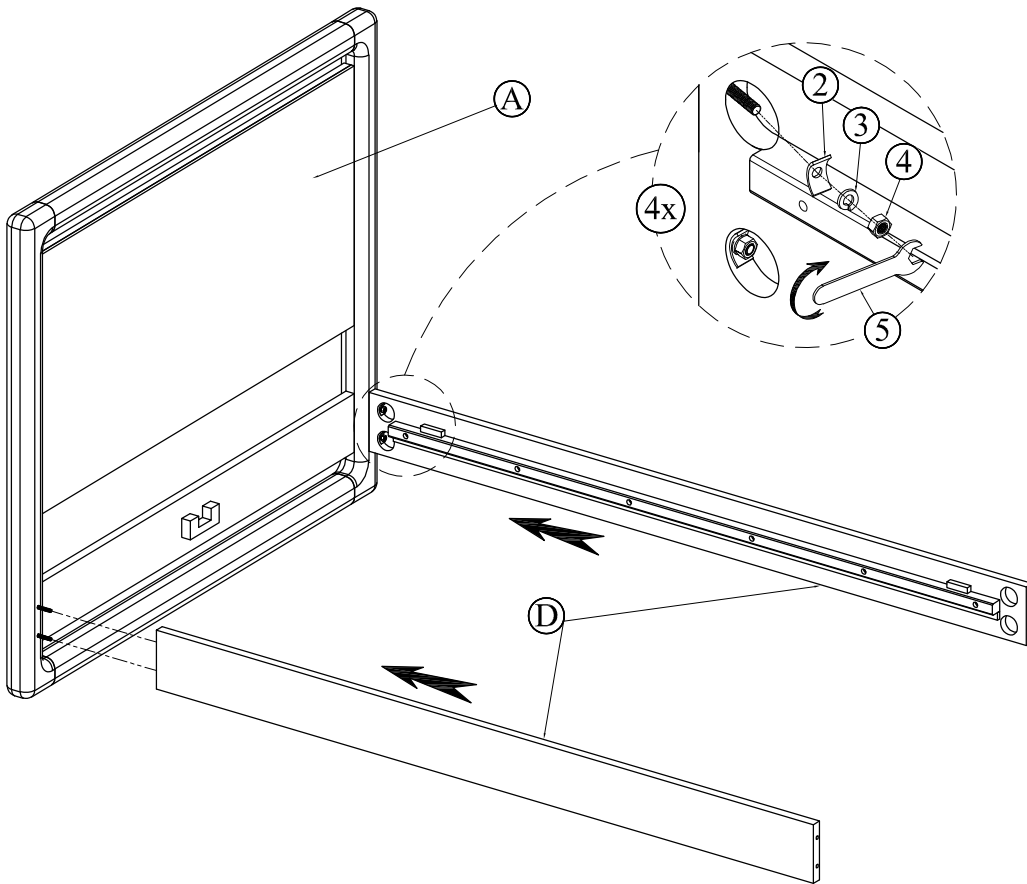
#### STEP 1



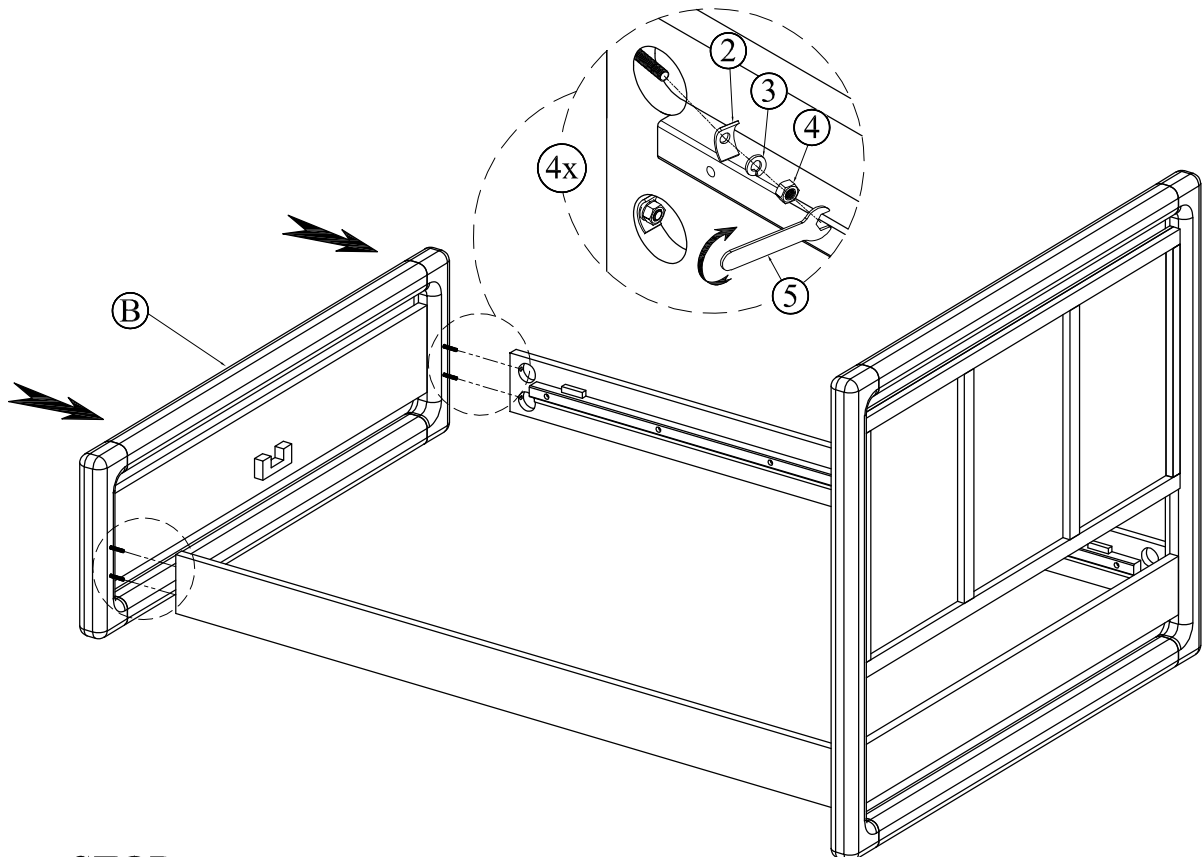
# SOL PLATFORM FULL BED

## ASSEMBLY INSTRUCTIONS

### STEP 2



### STEP 3



### STOP

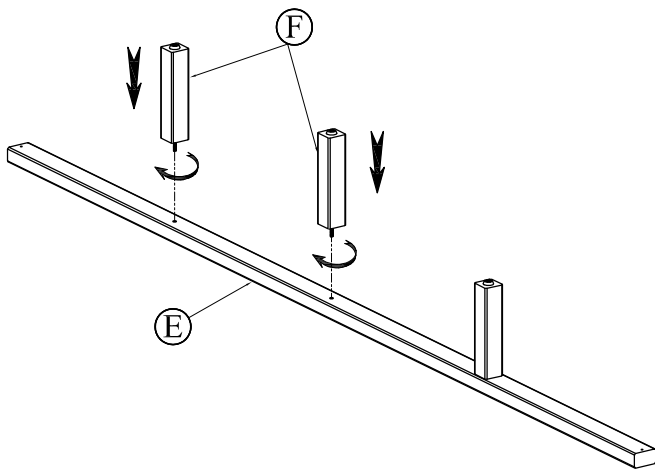
- IF USING BED WITH AN ADJUSTABLE MATTRESS BASE, SKIP STEPS 4, 5 & 6 AND REFERENCE APPENDIX A: ADJUSTABLE MATTRESS BASE ASSEMBLY SUPPLEMENT.
- IF USING BED FRAME WITH STANDARD BOX SPRING OR FOUNDATION, CONTINUE TO STEP 4

# SOL PLATFORM FULL BED

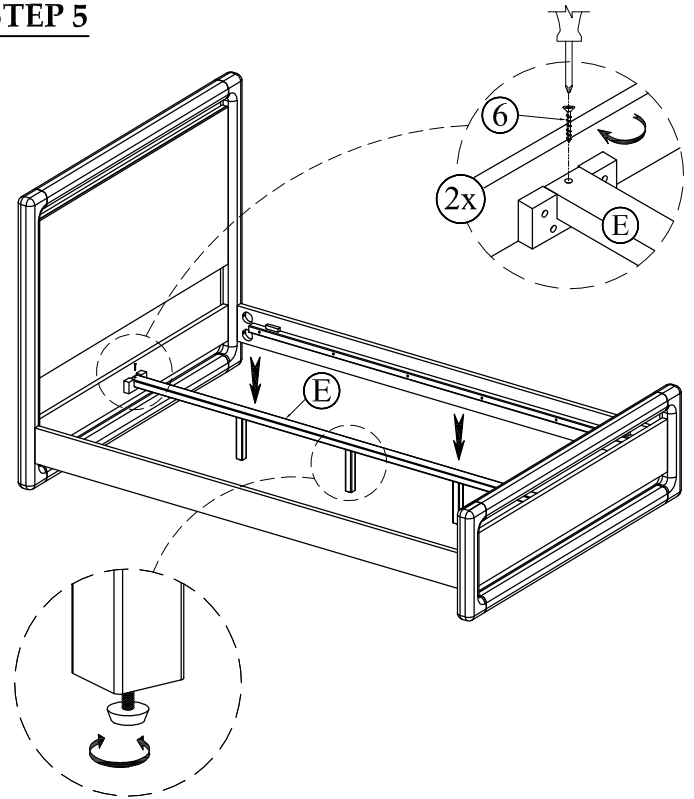
## ASSEMBLY INSTRUCTIONS



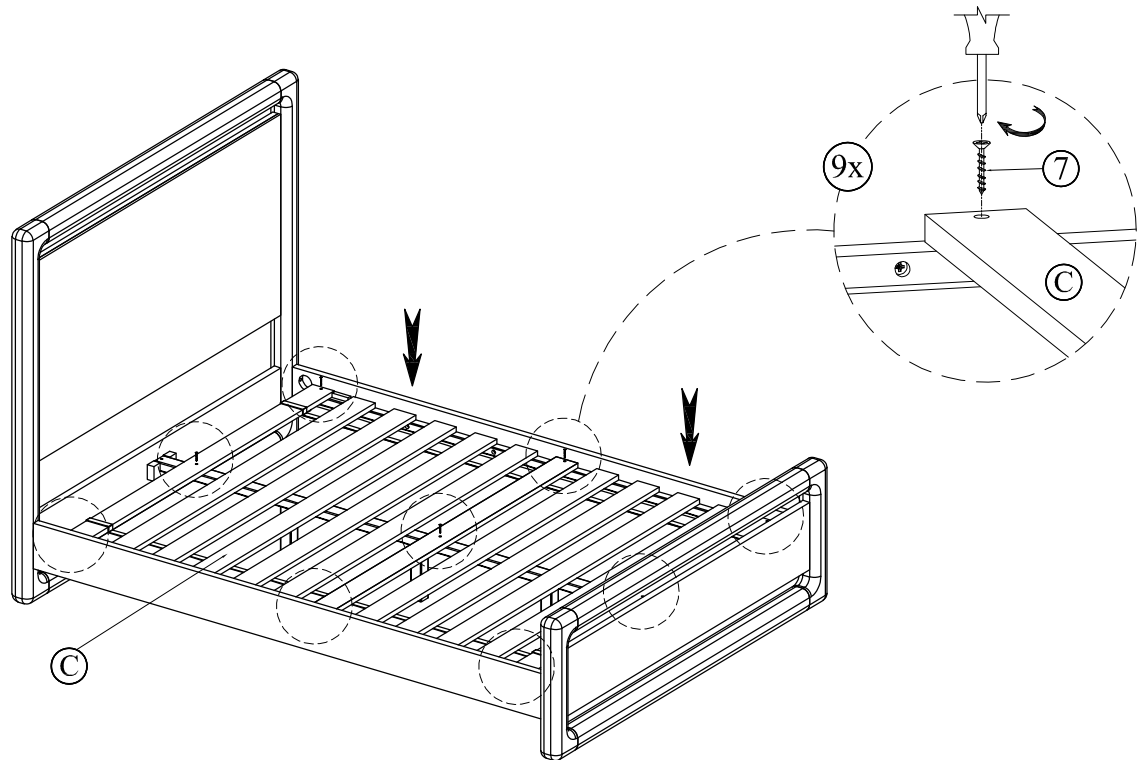
### STEP 4



### STEP 5



### STEP 6

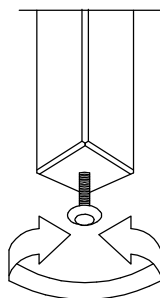


#### INSTRUCTIONS FOR ADJUSTING LEVELERS:

Position the bed in your space and locate the leveler under each leg support (F).

Turn the leveler counter-clockwise to extend and clockwise to retract it.

Adjust each leveler until each leg support is applying equal, upward pressure on the center slat.



#### MAINTENANCE INSTRUCTIONS:

- Periodically check all fittings and tighten if necessary, as they can loosen over time.
- Always remove box spring and mattress before moving the bed.
- Lift the bed when moving it. Dragging the bed can damage the center support.
- Readjust levelers after moving the bed.

# SOL PLATFORM FULL BED



## ASSEMBLY INSTRUCTIONS

### APPENDIX A: ADJUSTABLE MATTRESS BASE ASSEMBLY SUPPLEMENT

AN ADJUSTABLE MATTRESS BASE IS A FREESTANDING MATTRESS SUPPORT THAT SITS WITHIN THE PERIMETER OF THE BED FRAME. IF USING THIS BED FRAME WITH A STANDARD BOX SPRING OR FOUNDATION THESE INSTRUCTIONS DO NOT APPLY.

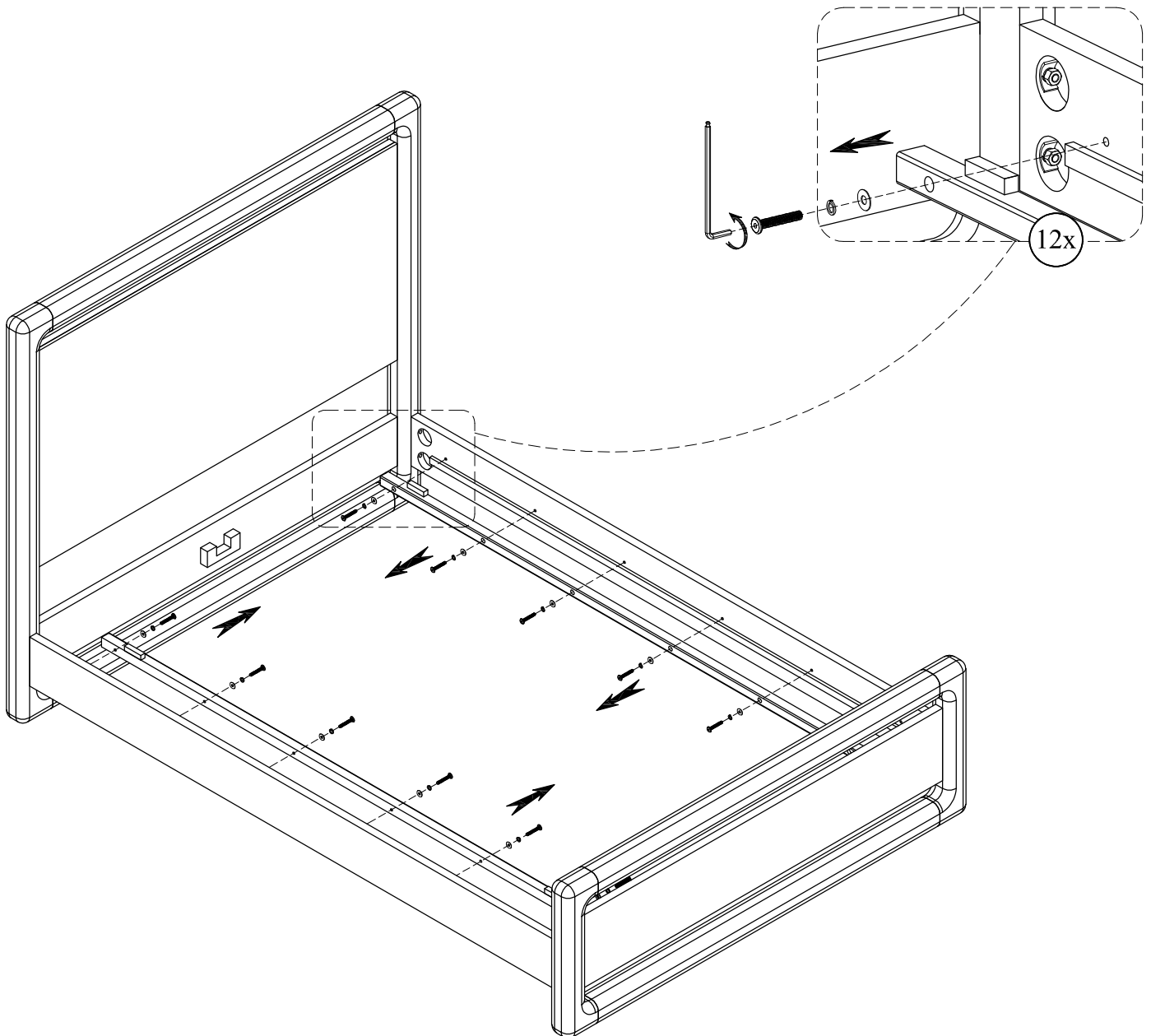
PRE-ASSEMBLED SIDE RAIL CLEATS OBSTRUCT ADJUSTABLE BASE INSTALLATION AND OPERATION. FOLLOW THESE INSTRUCTIONS TO REMOVE THEM.

THE FOLLOWING PARTS ARE NOT REQUIRED FOR ADJUSTABLE MATTRESS BASE INSTALLATION:

C. SLAT ROLL	: 1SET	*WOOD SCREW (4x35mm)	: 2PCS
E. CENTER SUPPORT	: 1PC	*WOOD SCREW (4x25mm)	: 9PCS
F. SUPPORT LEG	: 3PCS		

#### STEP #1:

USE ALLEN KEY (8) TO UNSCREW ALLEN BOLTS AND REMOVE PRE-ASSEMBLED SIDE RAIL CLEATS.



NOTE: YOU MAY WISH TO RETAIN UNUSED PARTS IF IN THE FUTURE YOU INTEND TO USE THE BED FRAME WITH A STANDARD BOX SPRING OR FOUNDATION.



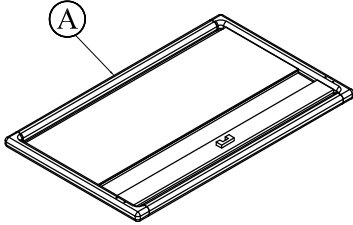
# SOL PLATFORM CAL KING BED

## ASSEMBLY INSTRUCTIONS

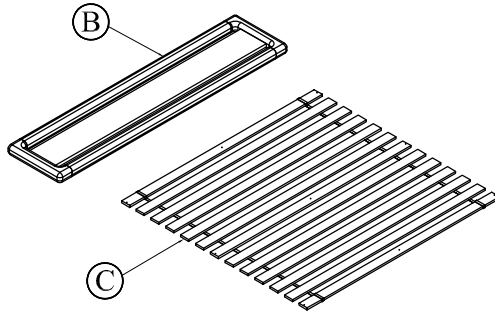


### PARTS AND FITTING PACKAGING DETAIL

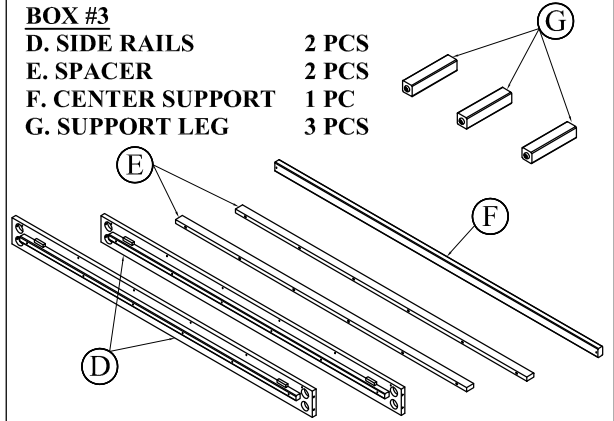
**BOX #1**  
A. HEADBOARD 1 PC



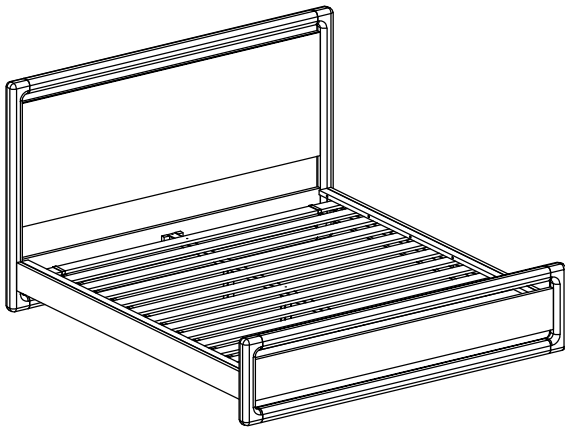
**BOX #2**  
B. FOOTBOARD 1 PC  
C. SLAT ROLL 1 SET



**BOX #3**  
D. SIDE RAILS 2 PCS  
E. SPACER 2 PCS  
F. CENTER SUPPORT 1 PC  
G. SUPPORT LEG 3 PCS



#### FULLY ASSEMBLED

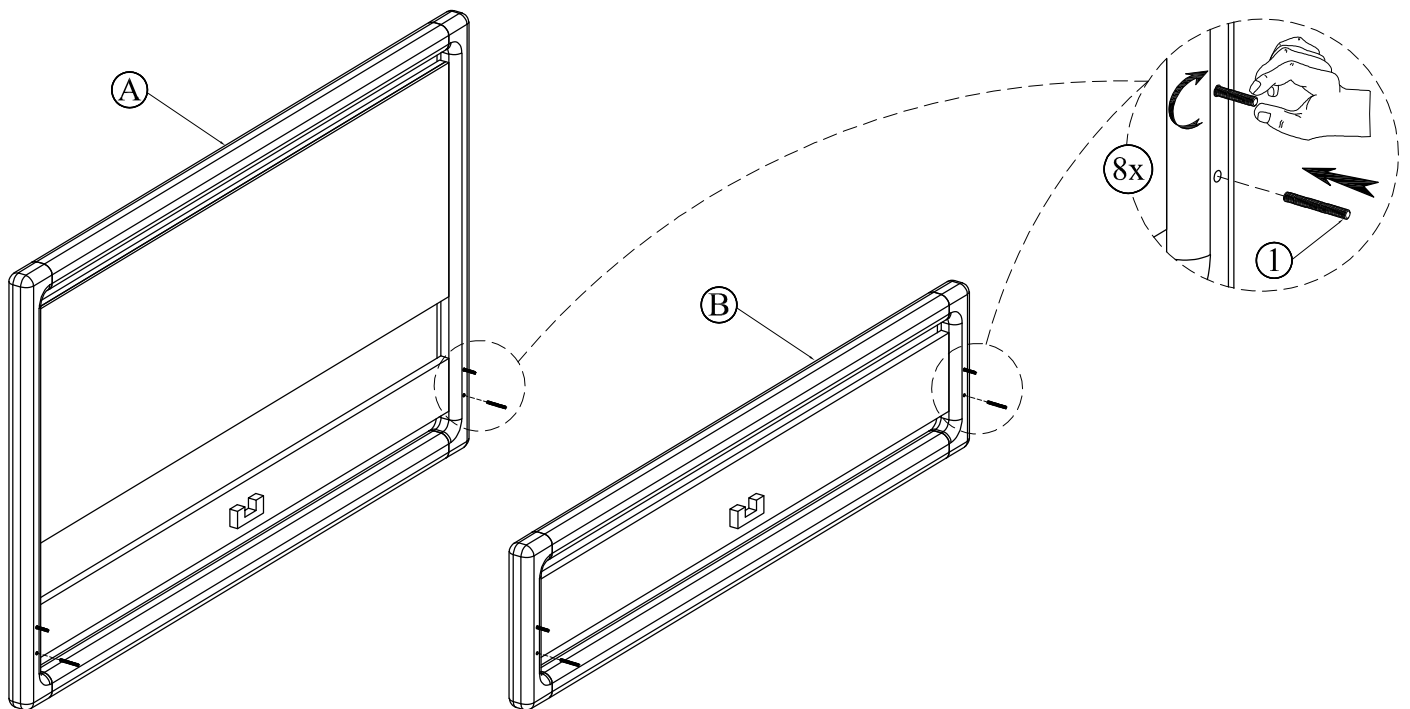


#### HARDWARE KIT PACKED IN BOX #2

1	THREADED BOLT (8x60mm)		8 PCS
2	ARC WASHER (2x14x26mm)		8 PCS
3	LOCK WASHER (M10)		8 PCS
4	HEX NUT (M8)		8 PCS
5	WRENCH		1 PC
6	WOOD SCREW (4x35mm)		2 PCS
7	WOOD SCREW (4x25mm)		9 PCS
8	ALLEN BOLT (6x60mm)		12 PCS
9	LOCK WASHER (M9)		12 PCS
10	FLAT WASHER (M6)		12 PCS
11	ALLEN KEY		1 PC



#### STEP 1

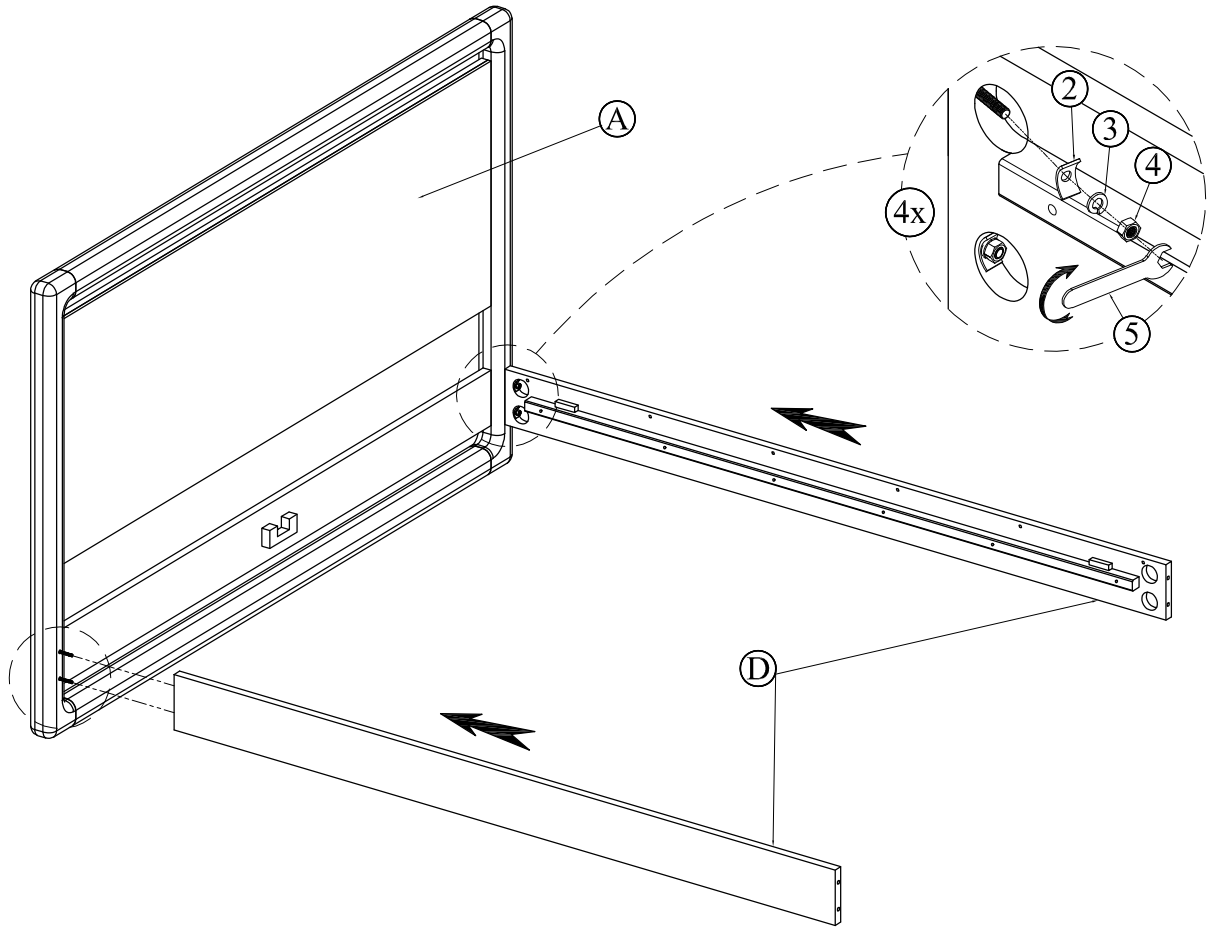


# SOL PLATFORM CAL KING BED

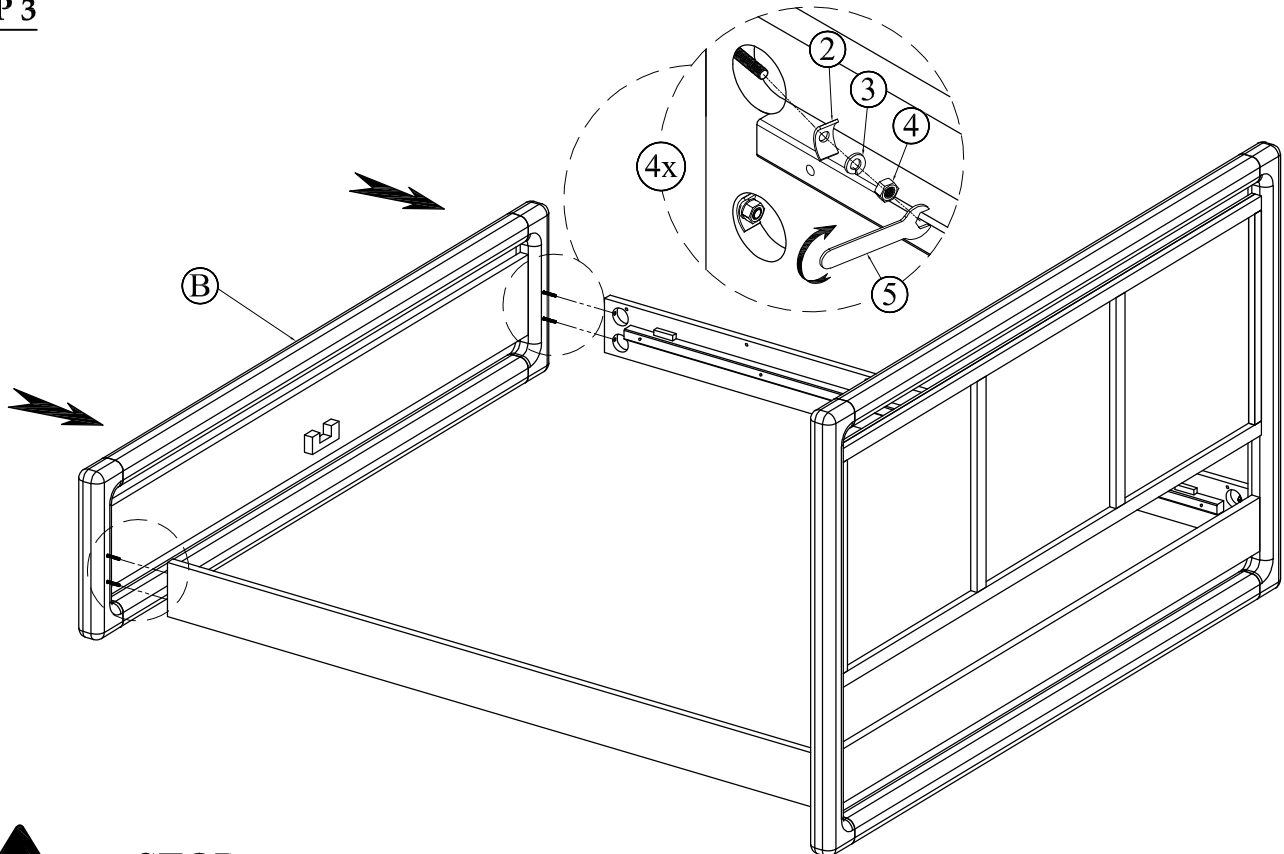
## ASSEMBLY INSTRUCTIONS



### STEP 2



### STEP 3



### STOP

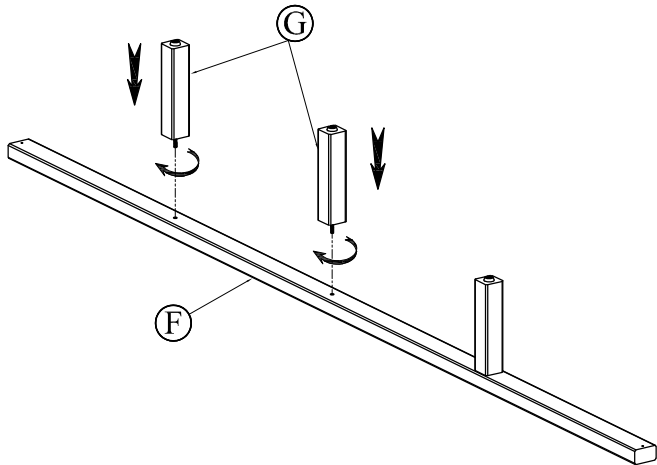
- IF USING BED WITH AN ADJUSTABLE MATTRESS BASE, SKIP STEPS 4, 5, 6 & 7 AND REFERENCE APPENDIX A: ADJUSTABLE MATTRESS BASE ASSEMBLY SUPPLEMENT.
- IF USING BED FRAME WITH STANDARD BOX SPRING OR FOUNDATION, CONTINUE TO STEP 4

# SOL PLATFORM CAL KING BED

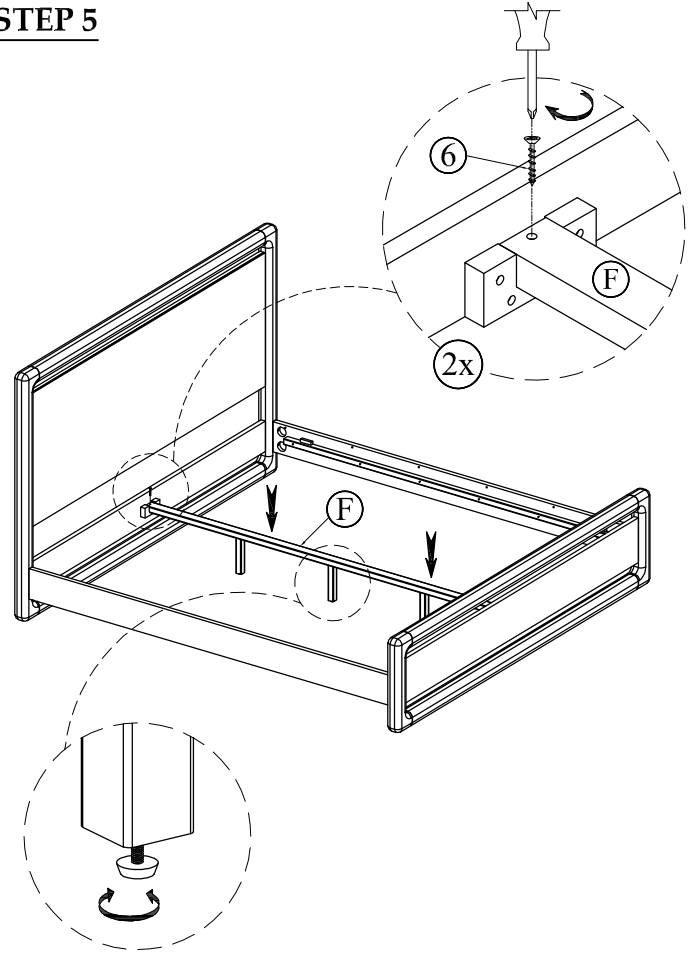
## ASSEMBLY INSTRUCTIONS



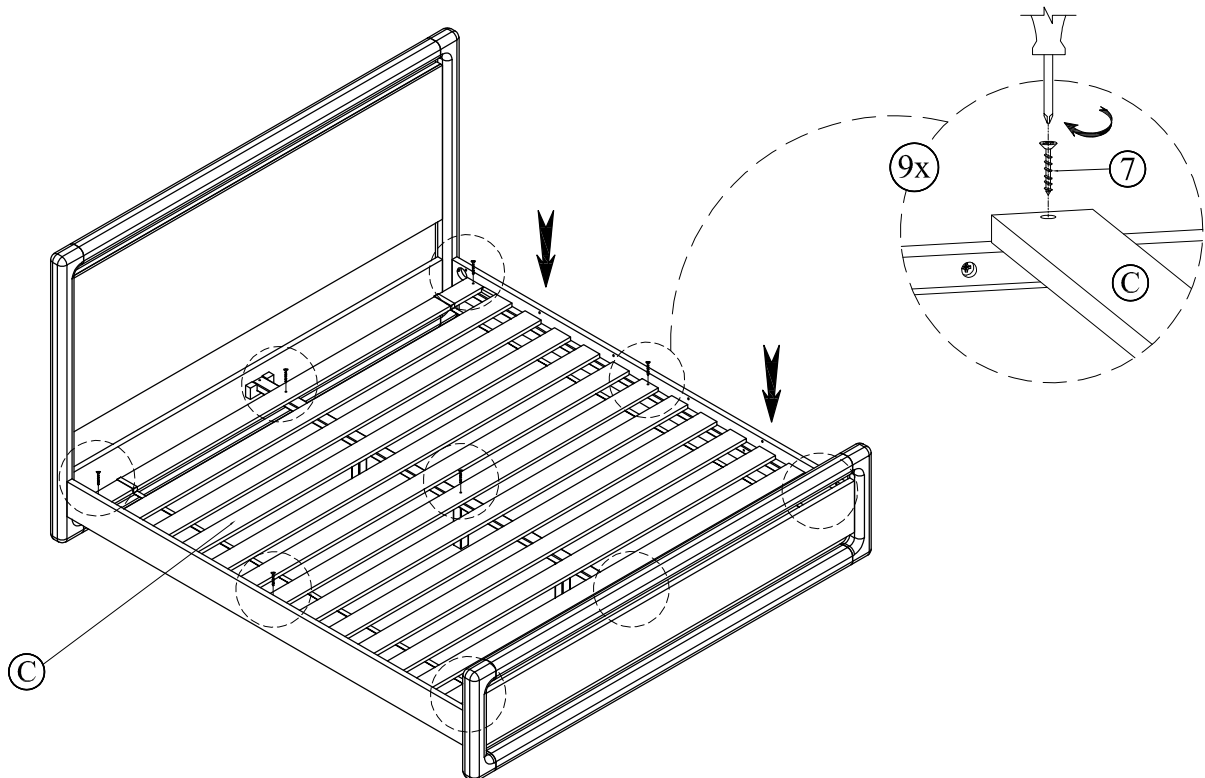
### STEP 4



### STEP 5



### STEP 6

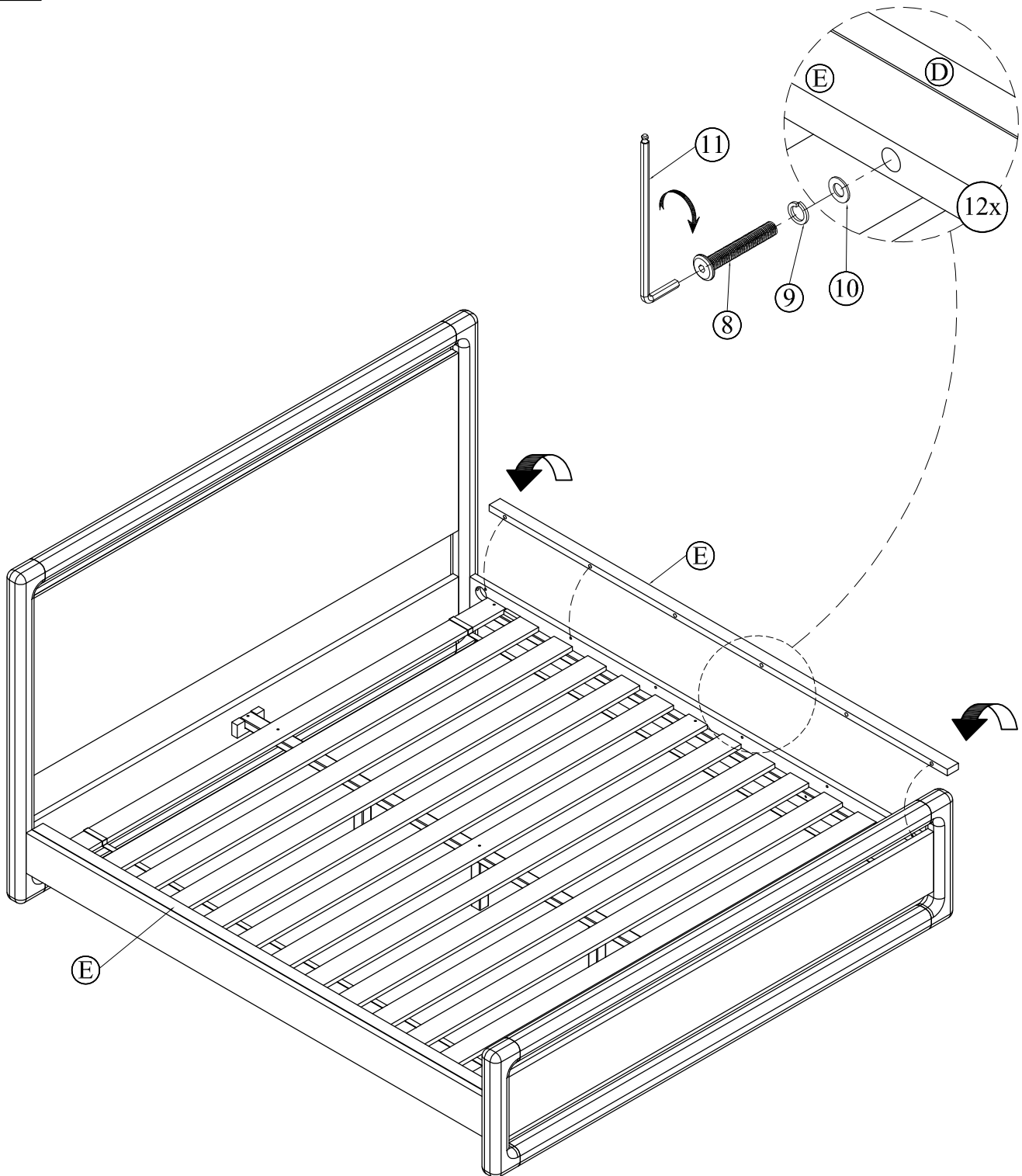


# SOL PLATFORM CAL KING BED

## ASSEMBLY INSTRUCTIONS



### STEP 7

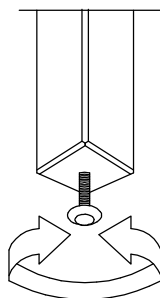


#### INSTRUCTIONS FOR ADJUSTING LEVELERS:

Position the bed in your space and locate the leveler under each leg support (G).

Turn the leveler counter-clockwise to extend and clockwise to retract it.

Adjust each leveler until each leg support is applying equal, upward pressure on the center slat.



#### MAINTENANCE INSTRUCTIONS:

- Periodically check all fittings and tighten if necessary, as they can loosen over time.
- Always remove box spring and mattress before moving the bed.
- Lift the bed when moving it. Dragging the bed can damage the center support.
- Readjust levelers after moving the bed.

# SOL PLATFORM CAL KING BED



## ASSEMBLY INSTRUCTIONS

### APPENDIX A: ADJUSTABLE MATTRESS BASE ASSEMBLY SUPPLEMENT

AN ADJUSTABLE MATTRESS BASE IS A FREESTANDING MATTRESS SUPPORT THAT SITS WITHIN THE PERIMETER OF THE BED FRAME. IF USING THIS BED FRAME WITH A STANDARD BOX SPRING OR FOUNDATION THESE INSTRUCTIONS DO NOT APPLY.

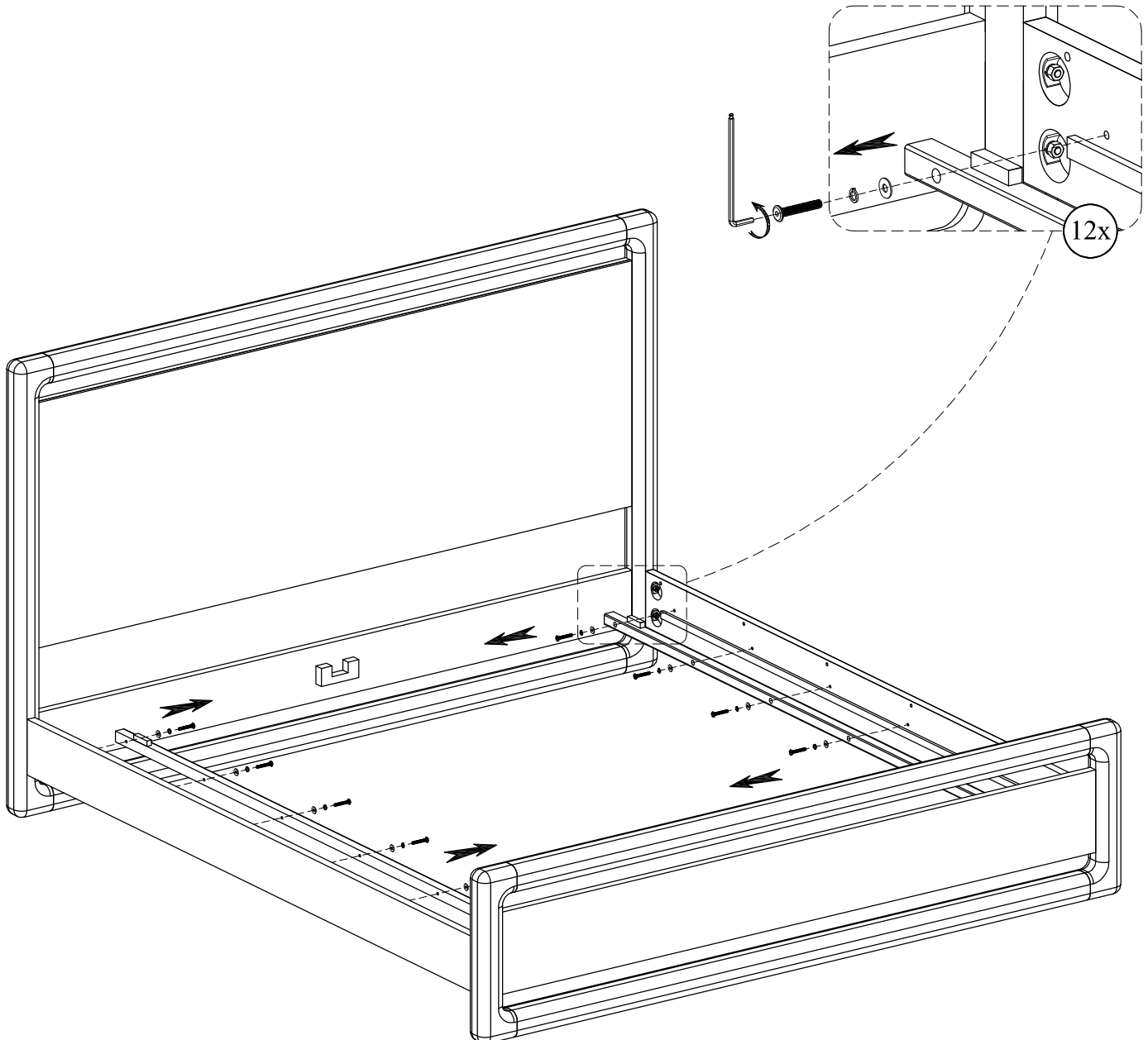
PRE-ASSEMBLED SIDE RAIL CLEATS OBSTRUCT ADJUSTABLE BASE INSTALLATION AND OPERATION. FOLLOW THESE INSTRUCTIONS TO REMOVE THEM.

THE FOLLOWING PARTS ARE NOT REQUIRED FOR ADJUSTABLE MATTRESS BASE INSTALLATION:

C. SLAT ROLL	: 1SET	*WOOD SCREW (4x35mm)	:2PCS
F. CENTER SUPPORT	: 1PC	*WOOD SCREW (4x25mm)	:9PCS
G. SUPPORT LEG	: 3PCS	*ALLEN BOLT (6x60mm)	:12PCS
E. SPACER	: 2PCS	*LOCK WASHER (M9)	:12PCS
		*FLAT WASHER (M6)	:12PCS

#### STEP #1:

USE ALLEN KEY (11) TO UNSCREW ALLEN BOLTS AND REMOVE PRE-ASSEMBLED SIDE RAIL CLEATS.



NOTE: YOU MAY WISH TO RETAIN UNUSED PARTS IF IN THE FUTURE YOU INTEND TO USE THE BED FRAME WITH A STANDARD BOX SPRING OR FOUNDATION.